

# CRESSI

SINCE 1946

Manuale d'uso

Direction for use

Manuel d'instructions

Bedienungsanleitung

Manual de instrucciones

**Руководство**

潜水呼吸调节器使用手册

Manual de Utilização dos

erogatori

regulators

detendeur

atemregler

regulador

пользователя

呼吸调节器

reguladores



## Introduction

Congratulations! Ongoing research and evolution conducted at our technical centers, together with Cressi-sub' s renowned reliability, have led to the product you just purchased, which will allow you to dive comfortably and safely for a long time.

All Cressi-sub regulators are certified to 164 f (50 m), and some for use in cold water with temperatures below 50°F (10°C), having passed the stringent operations testing at 39°F (4°C) (+0-2) set forth under the standard EN 250:2014 (and all previous editions) in compliance with new EU regulation 2016/425. This regulation establishes the conditions for bringing to market and the essential minimum safety requirements for Personal Protective Equipment (PPE). It officially took effect April 21, 2018, abrogating the previous Directive 89/686/EEC, upon the conclusion of a transitional period granted to manufacturers of PPE. EC certificates of the type issued under Directive 89/686/EEC are valid until their expiry date, in compliance with the Transitional provisions indicated under Art. 47 of EU Regulation 2016/425. Cressi-sub regulators belong to the maximum PPE category (category III), and have met the requirements called for by the tests established by standard EN 250:2014, recognized as the technical reference standard for regulators for recreational use produced and sold on the European market.

## Main Components

Regulators' main task is reducing the pressure of the compressed air contained in the tank to the same level as the environment' s, supplying breathable air when required by the diver.

They are composed of a "first stage", working as main pressure reducer and a "second stage" (kept in the diver' s mouth), which adjusts the pressure precisely to the same value as the environment' s. The regulator is part – together with tank, valves and sling – of a complete underwater breathing system, known as "SCUBA" (Self Container Underwater Breathing Apparatus).

This handbook describes all models of Cressi-sub range, all realized in high quality materials to guarantee pleasant dives and high performance, together with the easiest ways of use and maintenance. The instructions and directions found in this manual are based on the most up-to-date information about the equipment available before printing. Cressi Sub reserves the right to make changes at any time.

**NOTE:** The instructions and directions found in this manual are based on the most up-to-date information about the equipment available before printing. Cressi Sub reserves the right to make changes at any time.

**NOTE:** This handbook does not replace a diving training course! All Cressi-sub devices must be used by divers who have attended regular courses held by certified trainers. Using underwater devices without a licence or the necessary technical training may be dangerous for the diver' s safety and life itself. Besides, in order to guarantee the maximum safety, the devices must be serviced only by the producer or an authorized centre.  
**You can find your authorized Cressi-Sub center by asking your dealer, or Cressi Sub S.p.A. itself (email: info@cressi.com).**

**⚠ WARNING: CRESSI-SUB DECLINE ANY RESPONSIBILITY FOR ANY SERVICING CARRIED OUT BY UNAUTHORIZED PERSONNEL.**

**⚠ WARNING: SCUBA devices complying with EN 250:2014 standard must not be used by more than a diver at the same time.**

**⚠ WARNING: in case the components of a SCUBA are set and used by more than a diver at the same time, their performance in cold water might not satisfy the requisites prescribed by EN 250:2014 standard.**

**⚠ WARNING: if the components of the SCUBA equipment are configured and used simultaneously by multiple divers, the equipment may not be used at depths of greater than 30 meters, or at water temperatures below 10 °C (if specified).**





Direction for use regulators

- 1.1 - T10 - T10 S.C. - T10 S.C. Cromo**
- 1.2 - MC9-MC9 S.C.**
- 1.3 - MC5**
- 1.4 - AC25**
- 1.5 - AC2**

### 1.1. - T10 - T10 S.C.-T10 SC Cromo

The T10 balanced diaphragm first stage features a lightweight structure of compact design, protected by the special and innovative PVD (Physical Vapor Deposition) treatment, which creates a highly resistant surface coating with extraordinary chemical-physical characteristics and a high technical, very pleasing appearance. Unlike the T10 version, the Cromo version has a protective surface coating of electroless chrome plating.

The ergonomics of the T10 balanced diaphragm first stage presents the functioning mechanism arranged perpendicular to the air entry axis that thereby forms a “T” profile designed to guarantee perfect arrangement of the HP and LP hoses, avoiding interference with the equipment connected to the first stage; reduced size (particularly used in the SC version particularly suited to cold water), as well as additional inspection capacity and access to the HP valve mechanism to simplify maintenance and disassembling of the regulator.

It provides outstanding respiratory performance, constant in any use condition, thanks to the compensated diaphragm mechanism that enables maximum respiratory comfort to be obtained during any dive phase, from the surface to maximum depths. In fact, the regulator provides the same intermediate pressure independent of the pressure contained in the tanks and maintains performance at any depth.

Contrary to most regulators currently on the market, offering optimum performance when the tank is full at maximum working pressure, the T10 first stage was designed to offer optimum performance when the tank is close to empty.

This **“hyper balancing”** feature was possible using a system that adapts intermediate pressure taking into account the air density as the depth increases and the progressive increase in pressure drop as the tank empties.

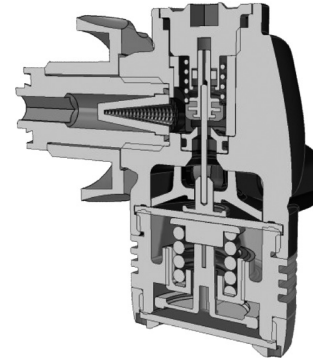


Fig. 1

Thanks to this feature, the T10 first stage assists the diver in the dive, guaranteeing the highest working performance which increases further during the notoriously critical surfacing phase of surfacing.

The compensated diaphragm mechanism phase, with a “T” air entry, or rather the HP valve arranged perpendicular to the air entry axis further guarantees considerable passage of air quantity with a pressure drop, between the inhalation and exhalation phase, which is reduced considerably.

These characteristics are the result of innovative technical solutions in the design and make the 1st stage among the smallest and lightest regulators on the market and one of the top performing in its category.

In this first stage (Fig. 1), the flexible diaphragm protects and seals the mechanism inside the system and transmits pressure variations in the water to the high pressure valve.

The HP poppet valve, which is extremely resilient and easily replaced during periodic maintenance, is manufactured in the latest generation thermoplastic elastomers. This valve boasts the

exclusive feature of sliding inside a special lined cylinder, also manufactured in self-lubricating thermoplastic material. The inner surface of this cylinder, which is completely free of oxidation phenomena, drastically reduces friction and makes the valve stroke extremely fluid and precise, guaranteeing optimum respiratory comfort. The HP poppet valve can also work perfectly guided on a pneumatic seal compartment, guaranteed to last long thanks to the special design of the piston sleeve that hinges the valve, without even making it rotate on its own axis. By doing so, the 1st stage performance can be kept constant and unchanged over time.

The HP valve closure nozzle, manufactured in stainless steel 316, is interchangeable to facilitate periodic maintenance of the 1st stage.

Air entry in the first stage is protected by a sintered conical filter in compact, sintered and nickel-plated phosphor bronze microspheres, to enable better air filtering thanks to the broader filtering surface guaranteed by the shape which also guarantees the passage of an elevated air flow, typical of this regulator and withholds any impurities from tank and valve.

The intermediate pressure regulation system of the T10 balanced diaphragm 1st stage follows the tradition of all Cressi-sub first stages, allowing convenient and fast regulation of intermediate pressure without having to disassemble parts of the regulator.

**⚠ WARNING:** *intermediate pressure regulation should only be carried out by authorised Cressi-sub centres and the calibration values CANNOT and MUST NOT be changed by the user, to avoid prejudicing the good working order of the regulator. We cannot be held in any way liable for any intervention carried out by staff unauthorised by Cressi-sub.*

**The Cressi-Sub authorised centres can be indicated by retailers or, alternatively by Cressi Sub s.p.a. (email: [info@cressi.com](mailto:info@cressi.com)).**

The balanced diaphragm first stage features a lightweight structure of compact design, made from seagoing brass, protected on the surface by means of a PVD (Physical Vapor Deposition) treatment (version T10SC) or coated with chromed copper (version T10 S.C. Cromo); the interior components are made of stainless steel, chromed brass and new generation thermoplastic resins.

It avails of 4 low pressure (LP) 3/8" ports, adequately angled for optimal distribution of the hoses that avoid interference with the attached equipment, and 2 high pressure (HP) 7/16" ports with a micrometric perforation for air release, ensuring maximum safety also in the event of accidental breakage of the high pressure hose, avoiding the risk of rapid tank emptying.

**⚠ WARNING:** *on the HP ports of the first stage, an underwater gauge and/or an underwater computer must be connected to also incorporate the gauge function. Since the tanks are not equipped with a reserve device, it is absolutely indispensable to use a gauge that indicates progressive air consumption when diving and which clearly highlights the reserve pressure has been reached, which should be considered as unusable air for the purpose of the dive itself, but only as an emergency air reserve. Diving without a gauge is dangerous because there is no way of controlling consumption and you can suddenly find yourself without air during a dive, putting your life in serious danger.*

Connection of the first stage to the tank valve can take place using an international connection, using a new yoke with an extremely modern design or a threaded coupling DIN 300 bar, both according to EN ISO 12209 as referenced in the standard EN 250:2014.

As with all regulators in the Cressi-sub range, the T10 first stage offers the possibility of making certain manufacturing components of the regulator compatible, allowing interchanging parts with other diaphragm first stages in the current range.

Use of the T10 balanced diaphragm first stage is advised, compared to the piston models, for diving in waters full of suspended particles or dissolved mineral salts, or for use in cold water (with temperatures under 10°C), because all parts of the regulator mechanism are insulated for contact with water.

For diving in extreme conditions we recommend using combinations with the T10SC or the T10 Cromo SC versions equipped with the Seal Chamber (S.C.)

**⚠ WARNING:** *to deal with diving in cold water (temperature <10°C or < 50°F) Cressi-sub recommends use of a tank equipped with a pillar valve with two independent ports outlet, where two complete regulators can be connected.*

**⚠ WARNING:** *adequate technical preparation is necessary to deal with diving in cold water (temperature <10°C or < 50°F). Cressi-sub recommends you carry out this type of diving after taking a specific course given by qualified instructors. It is important not to wet the regulator before use and then expose it to air (which can be well under zero degrees). Do not use the purge button, particularly with the regulator level with Venturi effect in the "dive" position. If possible, keep the regulator in warm surroundings when not in use.*

The Seal Chamber is used to make the T10 balanced diaphragm first stage completely waterproof, avoiding water entry not only inside, but also in contact with the diaphragm and the calibration spring on the 1st stage, thereby creating an air chamber upstream of the regulator and its components, working like a proper thermal barrier. All problems are therefore avoided relating to contact with water full of suspended particles, sand, dissolved mineral salts and with cold water which, especially at temperatures below 10°C could form the foundation for possible freezing of the regulator.

The Seal Chamber (fig.2) consists of a special metal insert with a particular "radiator" shape designed to increase thermal exchange between the ambient temperature and the temperature inside the regulator, preventing its possible freezing effect, and a metal cap containing a silicone membrane inside. This, on warning of the ambient pressure variations, inverts and thereby transmits oscillations to the ambient pressure transducer beneath which, coming in contact with the main diaphragm, acts as a transmission element which transfers all information on the extreme pressure variations to the diaphragm. The main diaphragm which, in turn, protects and seals the mechanism inside the system, then transmits the pressure variations of the water to the high pressure valve.

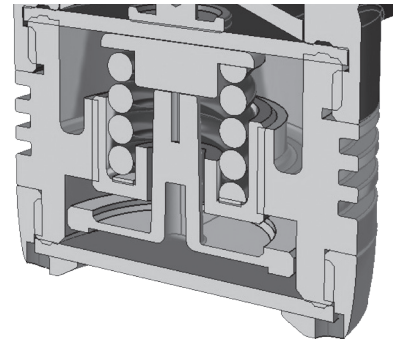


Fig. 2

**⚠ NOTE:** *before assembling the Seal Chamber S.C. the balanced diaphragm first stage must be calibrated. To ensure the regulator works properly, strictly comply with the calibration values outlined in the regulator performance table. Regulator calibration is not restricted by the ambient pressure variations transmission disk.*

**△ WARNING:** *intermediate pressure adjustment should only be carried out by authorised Cressi-sub centres and the calibration values CANNOT and MUST NOT be changed by the user, to avoid prejudicing the good working order of the regulator. We cannot be held in any way liable for any intervention carried out by staff unauthorised by Cressi-sub.*

**The Cressi-Sub authorised centres can be indicated by retailers or, alternatively by Cressi Sub s.p.a. (email: [info@cressi.com](mailto:info@cressi.com)).**

The T10 first stage can therefore be used in cold water (with water temperature below 10 °C/50 °F), since it complies with of EU Regulation 2016/425, checked and certified by Test Authority No. 0474 RINA located in Genoa, tested in compliance with standard EN 250:2014 that establishes the requirements for Personal Protective Equipment (PPE) category III. It therefore bears the CE marking followed by identification of the certification authority (0474) that checks its manufacture pursuant to module B+C2 of EU Regulation 2016/425. The standard also dictates the essential health and safety requirements for Category III PPE and governs the conditions for bringing it to market.

The considerable technical solutions, combined with the high quality of the materials used, ensure that this first stage regulator is fully reliable and capable of providing the highest performance extended over time.

Additional important information relating to our equipment can be found on the website [www.cressi.com](http://www.cressi.com)



## 1.2 - MC9 - MC9 S.C.

The MC9 - MC9 S.C. balanced diaphragm first stage features a lightweight structure of compact design, enclosed in an “aesthetic-protective” shell made from a special elastomer, specially conceived to protect the regulator from impact.

It guarantees high breathing performance in every condition, thanks to its balanced diaphragm mechanism, allowing the maximum breathing comfort in every diving phase, starting from the surface up to the maximum depth. The regulator, in fact, supplies the same intermediate pressure independently from the tank pressure, and keeps its performance independently from the depth.

Unlike the most regulators on the market, offering their best performance when the tank is loaded at its maximum working pressure, MC9 first stage was designed to give its best performance when the tank is about to empty. This **“hyper-balancing”** feature is possible thanks to a system of regulation of the intermediate pressure, which takes into account both the air density as the depth increases and the progressive pressure decrease due to the tank running down.

Thanks to this feature, MC9 first stage assists the diver during the whole dive, guaranteeing the highest performance, which improves during the most critical phase of surfacing.

Moreover, the balanced diaphragm mechanism, delivering air “online”, allows remarkable amounts of air to pass, by a very small pressure decrease between inhalation and exhalation phases.

These features are the results of several innovating technical solutions taken by designing MC9 1st stage, making it one of the best performing small and light regulators on the market.

In this first stage (fig. 3), the elastic diaphragm protects and seals the system’s inner mechanism, transmitting the changes of water pressure to the high pressure valve.

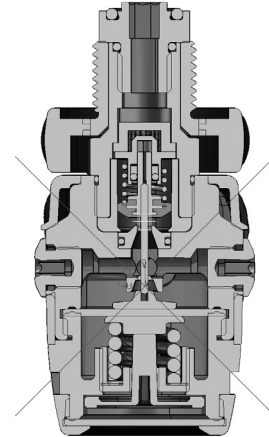


Fig. 3

The latter is made of special thermoplastic state-of-the art elastomers, is highly resistant and easily replaceable. It boasts the exclusive innovation of sliding inside a special self-lubricating cylinder in a special thermoplastic material. The cylinder’s inner surface is completely free of oxidation, reduces any friction dramatically and makes the valve slide in an extremely easy and precise way, guaranteeing the highest breathing comfort.

The HP seat is made of 316 stainless steel and is interchangeable, in order to make the maintenance of the 1st stage easier.

The passage of air through the first stage is protected by a special cup-shaped conical sintered filter, retaining any impurity from tank and valves.

The regulation system of intermediate pressure in MC9 balanced diaphragm first stage is the same as all other Cressi-sub first stages, which allows an easy and quick adjustment of intermediate pressure without having to disassemble any component of the regulator.

**⚠ WARNING:** intermediate pressure must be set only at authorized Cressi-sub centres; the setting values must NOT and can NOT be modified by the user, in order not to affect the good working of the regulator. Cressi-sub decline any responsibility for any intervention carried out by unauthorized personnel.

**You can find your authorized Cressi-Sub center by asking your dealer, or Cressi Sub S.p.A. itself (email: info@cressi.com).**

Balanced diaphragm first stage features a light compact structure in chromium-plated brass with inner components in stainless steel, chromium-plated brass and state-of-the-art thermoplastic resins.

It is supplied with four low pressure (LP) 3/8" ports - specially angled to allow the best hose positioning, avoiding any encumbrance among different devices - and two high pressure (HP) 7/16" ports with a micrometric air exit hole, guaranteeing maximum safety even in the case of damage to the high pressure hose, since it greatly reduces air loss from the tank.

**⚠ WARNING:** *an underwater pressure gauge or a computer with such function must be connected with the HP ports of the first stage.*

*Since the tanks are not supplied with a reserve device, a pressure gauge must always be used, reporting the progressive air consumption by diving and the reaching of reserve pressure, which has to be considered as not to be used by diving but only as emergency air supply.*

*Diving without any gauge is dangerous, since the diver can not control his own air reserve, which might suddenly run out, at his own high risk.*

The first stage can be connected to the tank valve with an inter-nal, by means of an extremely modern designed bracket, or with a threaded connection DIN 300 (EN ISO 12209) bar, both-complying with EN 250:2014 standard.

Like all Cressi-sub regulators, whose components are often interchangeable one with the other, MC9 is compatible with other diaphragm first stages of the present range.

MC9 balanced diaphragm first stage, like other Cressi-sub diaphragm first stages as well, is to be recommended rather than other piston models, by diving in suspension or mineral salts rich water, or in cold water at temperature lower than 10 °C/50 °F. All innercomponents of the regulators are in fact perfectly watertight.

For diving in extreme conditions we recommend using combinations with the MC9SC version, equipped as standard with the Seal Chamber (S.C.).

**⚠ WARNING:** *In case of dives in cold water (temperature less than 10°C/50° F), Cressi-sub recommend to use a tank supplied with a valve featuring two separate outlet ports, with which two complete regulators are to be connected.*

**⚠ WARNING:** *diving in cold water at temperature lower than 10°C/50 °F requires a special technical training. Cressi-sub recommend such diving only after attending a special training course by certified trainers. The regulator must absolutely not get wet and exposed to freezing air before use. Do not press the discharge button, particularly when the Venturi effect adjustment lever is on "dive". If possible, keep the regulator in a warm place before use.*

The Seal Chamber's task is to make MC9 balanced diaphragm first stage perfectly watertight, preventing water from seeping inside or on the diaphragm and the main spring: it works as an air chamber above the regulator and its components, like a real thermal barrier. It avoids any problem caused by contact with suspension, sand, mineral salts rich water and with cold water, which might eventually cause the regulator to freeze, especially at temperature lower than 10° C/50° F.

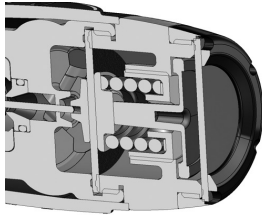


Fig. 4

The Seal Chamber is composed of a metal cap containing a silicon seal. The seal responds to any environmental pressure change bending towards the inside and transmitting it to the underlying plate; the latter transmits such information to the main diaphragm. The main diaphragm protects and seals the device's inner mechanism, transmitting pressure changes to the high pressure valve.

**△ NOTE:** *before assembling the Seal Chamber S.C. the balanced diaphragm first stage must be set. In order to get the regulator to work perfectly, the setting values must be strictly those reported in the regulator's performance table. The setting is independent from the plate transmitting environmental pressure changes.*

**△ WARNING:** *intermediate pressure must be set only at authorized Cressi-sub centres, while the setting values can NOT and must NOT be modified by the user, in order not to affect the regulator's performance. Cressi-sub decline any responsibility for any intervention carried out by unauthorized personnel.*

**You can find your authorized Cressi-Sub center by asking your dealer, or Cressi Sub S.p.A. itself (email: [info@cressi.com](mailto:info@cressi.com)).**

The MC9 S.C. first stage can therefore be used in cold water (with water temperature below 10 °C/50 °F), since it complies with Directive 89/686/EEC dated 21/12/1989, checked and certified by Test Authority No. 0474 RINA located in Genoa, tested in compliance with standard EN 250:2014 that establishes the requirements for Personal Protective Equipment (PPE) category III. It therefore bears the CE marking followed by identification of the certification authority (0474) that checks its manufacture pursuant to module B+C2 of EU Regulation 2016/425. The standard also dictates the essential health and safety requirements for Category III PPE and governs the conditions for bringing it to market.

Its remarkable technical features, together with its high quality materials, make this first stage a highly reliable regulator, guaranteeing best performances for a long time.

Visit our web-site [www.cressi.com](http://www.cressi.com), where you can find further information relating to your safety.

### 1.3 - MC5

MC5 balanced diaphragm 1st stage features an extremely light and compact structure enclosed in an “esthetical-protective” shell of a special elastomer, designed to protect the regulator from collision.

It guarantees high breathing performance in every condition, thanks to its balanced diaphragm mechanism, allowing the maximum breathing comfort in every diving phase, starting from the surface up to the maximum depth. The regulator, in fact, supplies the same intermediate pressure independently from the tank pressure, and keeps its performance independently from the depth.

The balanced diaphragm mechanism, delivering air “on line”, allows remarkable amounts of air to pass, by a very small pressure decrease between inhalation and expiration phases.

These features are the results of innovating technical solutions taken by designing MC5 1st stage, making it one of the best performing small and light regulators on the market.

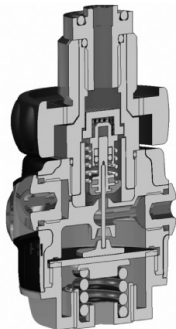


Fig. 5

In this first stage (fig. 5), the elastic diaphragm protects and seals the system' s inner mechanism, transmitting the changes of water pressure to the high pressure valve.

The latter is made of special thermoplastic state-of-the art elastomers, is highly resistant and easily replaceable. It boasts the exclusive innovation of sliding inside a special self-lubricating cylinder in a special thermoplastic material. The cylinder' s inner surface is completely free of oxidation, reduces any friction dramatically and makes the valve slide in an extremely easy and precise way, guaranteeing the highest breathing comfort.

The passage of air through the first stage is protected by a special cup-shaped conical sintered filter, retaining any impurity from tank and valves.

The regulation system of intermediate pressure in MC5 balanced diaphragm first stage is the same as all other Cressi-sub first stages, allowing an easy and quick adjustment of intermediate pressure without having to disassemble any component of the regulator.

**⚠ WARNING:** *intermediate pressure must be set only at authorized Cressi-sub centres, while the setting values can NOT and must NOT be modified by the user, in order not to affect the regulator' s performance. Cressi-sub decline any responsibility for any intervention carried out by unauthorized personnel.*

**You can find your authorized Cressi-Sub center by asking your dealer, or Cressi Sub S.p.A. itself (email: [info@cressi.com](mailto:info@cressi.com)).**

Balanced diaphragm first stage features a light compact structure in chromium-plated brass with inner components in stainless steel, chromium-plated brass and state-of-the-art thermoplastic resins.

It is supplied with three low pressure (LP) 3/8” ports - specially angled to allow the best hose positioning, avoiding any encumbrance among different devices - and a high pressure (HP) 7/16” port with a micrometric air exit hole, guaranteeing maximum safety even in the case of damage to the high pressure hose, since it prevents the tanks from emptying.

**⚠ WARNING:** *an underwater pressure gauge or a computer with such function must be connected with the HP port of the first stage.*

*Since the tanks are not supplied with a reserve device, a pressure gauge must always be used, reporting the progressive air consumption by diving and the reaching of reserve pressure, which has to be considered as not to be used by diving but only as emergency air supply.*

*Diving without any gauge is dangerous, since the diver can not control his own air reserve, which might suddenly run out, at his own high risk.*

The first stage can be connected to the tank valve with an international, by means of an extremely modern designed bracket, or with a threaded connection DIN 300 bar (4350 psi) (EN ISO 12209), both complying with EN 250:2014 standard.

Like all Cressi-sub regulators, whose several components are interchangeable one with the other, MC5 is compatible with other diaphragm first stages of the present range.

MC5 balanced diaphragm first stage, like other Cressi-sub diaphragm first stages, having all inner components watertight, is to be recommended, rather than other piston models, by diving in suspension or mineral salts rich water.

MC5 conforms to EU Regulation 2016/425, having been tested and certified by Notified Body number 0474, RINA, with registered office in Genoa, with testing conducted pursuant to standard EN 250:2014 which specifies the requirements for class III Personal Protective Equipment (PPE), and therefore it bears the CE mark followed by the ID data of the notified body (0474) pursuant to form B+C2 of EU regulation 2016/425.

Its remarkable technical features, together with its high quality materials, make this first stage a highly reliable regulator, guaranteeing best performances for a long time.

Visit our web-site [www.cressi.com](http://www.cressi.com), where you can find further information relating to your equipment.

#### 1.4 - AC25 BALANCED PISTON FIRST STAGE

The AC25 balanced piston first stage has a structure that is angled 90° from the air entry, and provides a constant flow of air during use, regardless of the depth or pressure in the cylinder.

It is made of a single block of coppered and nickel-plated brass with two different protective surface treatments. One is a shiny chrome treatment that distinguishes the “AC25g” version, while the “AC25m” version features a pearl grey satin.

With the exception of different surface treatments for exposed details, both versions use the same internal components, in stainless steel and chrome-plated brass, with NBR gaskets in varying hardness depending on their intended use.



Fig. 6

The AC25 first stage features a swivel turret with five 3/8" LP low-pressure ports, of which four are ideally angled for optimal hose distribution in order to avoid any interference among connected equipment. The fifth is located on the head of the swivel turret and arranged co-axially with respect to the flow of air to ensure top performance along with maximum flexibility of options for arranging regulators connected to the 1 stage (fig. 6).

This design means that all the low-pressure hoses connected to the swivel turret can rotate to reach the best position, optimizing and making the distribution of regulators during the dive especially comfortable.

The two 7/16" high-pressure (HP) ports are made with a micro-metric air outlet hole that ensures an excellent level of safety, even in the event that the high-pressure hose should accidentally break, preventing the risk of the cylinders emptying rapidly. These ports are also arranged opposite each other, thereby allowing the first stage to be placed on the cylinder valve either upward or downward.

**⚠ WARNING:** *a submersible pressure gauge or dive computer with this function must be connected to one of the high-pressure (HP) ports on the first stage.*

*Since the cylinders do not feature a reserve device, it is absolutely crucial that you use a pressure gauge that indicates progressive air consumption during the dive and that also clearly shows when the reserve pressure has been reached. This must be considered air that cannot be used for the purposes of the dive, but solely as an emergency backup.*

*Diving without a pressure gauge is dangerous, since there is no way for divers to monitor their own consumption and as a result might find themselves suddenly without air, resulting in serious risks to their lives.*

The first stage can be connected to the cylinder valve either using an international fitting (EN ISO 12209) with a yoke connection (INT) configured for use up to a maximum operating pressure of 232 bar, or using a threaded DIN fitting (EN ISO 12209) configured for use up to a maximum operating pressure of 300 bar, in accordance with the references provided in standard EN 250:2014.



Fig. 7

The threaded DIN fitting on the first stage calls for use of an ergonomically-shaped handwheel with a soft and anatomical grip on a sturdy metallic frame in chrome-plated brass (fig. 2).

Entry of air into the first stage is protected by a tapered sintered filter that is nickel-plated with Bronze Phosphorus microspheres, identical in both the yoke and DIN versions. It allows for advanced air filtering, capturing any impurities that may be present in the cylinder and the valve, and thanks to its special position opposite the inside of the regulator, it also enables elevated air flow, typical of the swivel turret regulator.

Inside the AC25 first stage all internal air passages have been resized in order to contain as much as possible any drops in pressure while the regulator is in operation, and consistently ensure an adequate amount of air in any usage situation.

The AC25 first stage is distinguished from previous versions of the balanced-piston first stages that Cressi-sub has produced thanks to numerous technical and aesthetic innovations that elevate it to the very top of its category, confirming the characteristics of a highly reliable and astonishingly durable product.

With a doubt, the first innovation lies in a crucial characteristic that has always set apart Cressi-sub first stages: the direct intermediate-pressure adjustment system, which can be used without having to disassemble the components of the regulator. This means that the intermediate pressure can be adjusted from the outside using a common 6-mm Allen key, allowing authorized technicians to easily, accurately, and safely adjust the first-stage intermediate pressure thanks to the special shockproof rubber bushing, designed to protect the regulator from accidental blows; it wraps around the IP calibration adjustment plate.

**⚠ WARNING:** *Intermediate pressure must be set only at authorized Cressi-sub centres; the setting values must NOT and can NOT be modified by the user, in order not to affect the good working of the regulator. **Cressi-sub assumes no responsibility for any work carried out by personnel not authorized by Cressi-sub.***

**You can find your authorized Cressi-Sub center by asking your dealer, or Cressi Sub S.p.A. itself (email: [info@cressi.com](mailto:info@cressi.com)).**

**⚠ WARNING:** *intermediate pressure may only be adjusted at authorized Cressi-sub centers, and users may NOT and must NOT modify the calibration values to avoid compromising the proper operation of the regulator. Cressi-sub assumes no responsibility for any work carried out by personnel not authorized by Cressi-sub.*

Another crucial characteristic of the AC25 first stage that has also set Cressi-sub regulators apart from the rest is the maintenance sequence for the regulator. The steps are especially simple and intuitive because the design is extremely rational, and best of all they can be performed using standard tools.

**⚠ WARNING:** *Users CANNOT perform equipment maintenance. This can only be done by an authorized Cressi-sub center. If improper maintenance is performed on the equipment, performed by someone other than authorized Cressi-Sub personnel, or used for purposes other than those specifically intended, responsibility for proper and safe operations fall to the owner/user.*

In addition, special care was taken during the design process to select the materials and design of every component in order to prevent and avoid any oxidizing of internal components in contact with water, which is sometimes possible with this type of regulator.

So for example, a new protective cap has been introduced that prevents contact between the calibration spring (which is duly surface-treated to ensure advanced performance and consistent load) and the piston. There is also a new tightening screw on the swivel turret designed with a larger air-passage section and a lower head profile that minimizes the formation of any oxide through electrolysis. Inside the main body there are also many

more technical innovations in this balanced-piston first stage. One is the addition of an anti-extrusion ring for the O-ring inside the body itself, designed to further improve the regulator's performance without affecting the intervals for scheduled annual maintenance (fig.8)

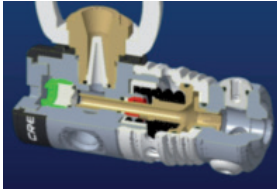


Fig. 8

Like all Cressi-sub regulators, the AC25 first stage delivers a high level of interchangeability of certain build components with other models in the Cressi-sub line.

The AC25 first stage is compliant with the essential safety requirements set forth by EU standards, and satisfies the requirements called for by standard UNI EN 250:2014, solely for use in warm water ( $A > 10^{\circ}\text{C}/50^{\circ}\text{F}$ ), in conformity with the dictates of EU regulation 2016/425, which establishes the conditions for bringing to market and the essential minimum safety requirements for Personal Protective Equipment (PPE). It therefore bears the CE marking followed by identification of the certification authority 0474 identifying RINA, the registered testing agency that conducted the testing and tests its manufacture pursuant to module B+C2 of EU Regulation 2016/425 as well as the essential health and safety requirements of category III PPE and regulates the conditions for bringing to market.

The AC25 first stage, in both of its configurations (AC25“g” or AC25“m”), can therefore be used only with the combinations of 2nd stages indicated by the respective CE type certificates, and only in warm water ( $A > 10^{\circ}\text{C}/50^{\circ}\text{F}$ ).

This means that use of the AC25 balanced-piston first stage is preferred over diaphragm models for recreational dives taken in water warmer than  $10^{\circ}\text{C}/50^{\circ}\text{F}$ .

The considerable technical solutions combined with the high quality of the materials used make this first stage a supremely reliable regulator, able to deliver extremely high performance that will last over time.

Visit our website, [www.cressi.com](http://www.cressi.com), where you find other important information about your equipment.

**NOTE:** *The instructions and directions found in this chapter are based on the most up-to-date information about the equipment in question available before printing. Cressi Sub reserves the right to make changes to the content at any time.*



## 1.5 - AC2



Fig. 9

AC2 regulator has the task to reduce the tanks' pressure. It is connected to the second stage by means of a hose supplying the diver with breathable air at environmental pressure. The first stage's main task is therefore to reduce the tanks' air to an intermediate pressure, about 10 bar (145 psi) higher than the environmental.

Small dimensions, light weight, extremely simple structure, special sturdiness and easy maintenance: here are the main features of this in-line first stage, offering as high performances as a balanced piston model's.

Its compact and attractive design features four low pressure 3/8" ports in pairs, with preset angles to allow easy connection with any accessory equipment. The setting is easily performed thanks to the special revolving ring system, allowing a quick, precise and continuous adjustment, without having to disassemble the regulator.

**⚠ WARNING:** *intermediate pressure must be set only at authorized Cressi-sub centres; the setting values must NOT and can NOT be modified by the user, in order not to affect the good working of the regulator. Cressi-sub decline any responsibility for any intervention carried out by unauthorized personnel.*

**You can find your authorized Cressi-Sub center by asking your dealer, or Cressi Sub S.p.A. itself (email: [info@cressi.com](mailto:info@cressi.com)).**

Inside, a conical filter provides a filtering action 200% higher than a standard flat filter.

Airflow capacity is remarkable, due to new larger air ports, offering unequalled performance in this class of regulators.

Both international yoke and DIN (at 200 or 300 bar) (2900÷4350 psi) connection are fully interchangeable and are replaced with each other very quickly (only at authorized Cressi-sub centres).

Its satin finish guarantees the regulator's best surface performance, while contributing to its outstanding strength and reliability. The first stage is manufactured with the finest materials and Cressi-sub experience.

The first stage can be connected with the tank's valve either with an international through an extremely modern designed bracket, or with a threaded connection DIN (EN ISO 12209), both complying with EN 250:2014 standard. Should the tank used have a working pressure higher than 200 bar (2900 psi), a DIN connection is recommended.

Besides its technical innovations, this first stage differs from previous models as to its new esthetical look, enriched with careful particulars in its finishing as well. It is a top quality high technology regulator, showing a pleasant as well as aggressive look, united with outstanding sturdiness and easy mechanics, which allows an easy and simple maintenance.

The AC2 first stage conforms to EU Regulation 2016/425, having been tested and certified by Notified Body number 0474, RINA, with registered offices in Genoa, with testing conducted pursuant to standard EN 250:2014 which specifies the requirements for class III Personal Protective Equipment (PPE), and therefore it bears the CE mark followed by the ID data of the notified body (0474) pursuant to form B+C2 of EU regulation 2016/425.

Its remarkable technical solutions, together with high quality materials, make this first stage a highly reliable regulator, offering top quality performance for a long time.

Visit our web-site [www.cressi.com](http://www.cressi.com), where you can find further information relating to your equipment.



Direction for use regulators

**1.6 - Performance First Stages**

## 1.6 - Performance

<b>T10 / T10 S.C. / T10 S.C. Cromo</b>	
Working pressure (INT connection)	0÷232 bar
Working pressure (DIN connection)	0÷300 bar
Calibration pressure (with 200 bar supply)	10 bar
Air supply	4500 l/min (*)
High pressure (HP) ports	2
Low pressure (LP) ports	4
Weight without hose T10 SC	720 gr (INT) - 602 gr (DIN)

(\*) Values measured on LP port with second stage connected and 200→150 bar pressure in the tanks.

<b>MC9 / MC9 S.C.</b>	
Working pressure (INT connection)	0÷232 bar - (0÷3365 psi)
Working pressure (DIN connection)	0÷300 bar - (0÷4350 psi)
Calibration pressure (200 bar feeding)	10 bar - (145 psi)
Air supply	4500 l/min (*)
High pressure (HP) ports	2
Low pressure (LP) ports	4
Weight without hose MC9	590 gr (INT) - 450 gr (DIN)
Weight without hose MC9 SC	650 gr (INT) - 510 gr (DIN)

(\*) Values measured on LP port with second stage connected and 200→150 bar pressure in the tanks.

<b>MC5</b>	
Working pressure (INT connection)	0÷232 bar - (0÷3365 psi)
Working pressure (DIN connection)	0÷300 bar - (0÷4350 psi)
Calibration pressure (200 bar feeding)	10 bar - (145 psi)
Air supply	3000 l/min (*)
High pressure (HP) ports	1
Low pressure (LP) ports	3
Weight without hose MC5	450 gr (INT) - 350 gr (DIN)

(\*) Values measured on LP port with second stage connected and 200→150 bar pressure in the tanks.

## 1.6 - Performance

<b>AC25</b>	
Working pressure: (INT fitting)	0÷232 bar - (0÷3365 psi)
Working pressure: (DIN fitting)	0÷300 bar - (0÷4350 psi)
Calibration pressure (supplied at 200 bar)	10 bar - (145 psi)
Amount of air delivered	2100 l/min (*)
High-pressure (HP) ports	1
Low-pressure ports (LP)	4

(\*) Values measure at the LP port with second stage connected and pressure of 200→150 bar in the cylinders.

<b>AC2</b>	
Working pressure (INT connection)	0÷232 bar - (0÷3365 psi)
Working pressure (DIN connection)	0÷300 bar - (0÷4350 psi)
Calibration pressure (200 bar feeding)	10 bar - (145 psi)
Air supply	2100 l/min (*)
High pressure (HP) ports	1
Low pressure (LP) ports	4

(\*) Values measure at the LP port with second stage connected and pressure of 200→150 bar in the cylinders.





## Manuale d'uso erogatori

### SECONDI STADI

- 2.1 - Galaxy Adjustable/Master / Master Cromo / Galaxy / Octopus MG Balanced
- 2.2 - Galaxy Adjustable/Master / Master Cromo / Galaxy / Octopus
- 2.3 - XS Compact Pro / XS Compact / Octopus
- 2.4 - XS Compact Pro / XS Compact, smontaggio e manutenzione
- 2.5 - XS2

## 2.1. - Galaxy Adjustable / Master / Master Cromo / Galaxy / Octopus MG Balanced



Fig. 10



Fig. 11

Cressi sub's line of balanced second stages is represented by revolutionary pneumatic balanced regulators. They are elliptical in shape and are more lightweight (in fact, the adjustable Master version weighs just 207 gr - the lightest in its category!). Their futuristic designs boast many innovative patented features and are available in three different versions: Galaxy Adjustable (Fig.10), Master (Fig. 11) (adjustable) and Galaxy (Fig. 12) (non-adjustable). The latter is also proposed in the version Octopus named Octopus MG Balanced (Fig. 13).



Fig. 12



Fig. 13

Both versions provide air on-demand, i.e. only when the diver inhales through the mouthpiece, generating slight negative pressure inside the regulator - it needs to be as light as possible so as not to cause undue respiratory exertion. The special adjustable elliptical diaphragm reacts to the negative pressure; it is designed to increase its usable surface accordingly, in order to keep the breathing effort to the absolute minimum. This regulator's level of performance is guaranteed to be similar - if not superior - to any other regulator of a bigger in size.

The diaphragm gets sucked back inside the casing and brings the central disc - made of state-of-the-art friction-proof thermo-plastic - into contact with the new lever designed with revolutionary geometrics in order to enhance performance and drastically reduce friction.

The lever is subsequently lowered and in doing so, opens the valve.

Cressi-Sub's range of second-stage balanced regulators are equipped with a pneumatically balanced piston with a hole of minimal diameter going through it lengthwise.

The air from the first-stage comes through this hole and enters a small chamber (called the "balance chamber") positioned at the edge of the piston.

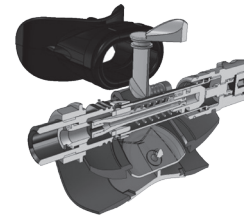


Fig. 14

The air contained in this chamber exercises a level of pressure which varies according to the depth of the water and pushes the closing piston towards the valve nozzle. This way, a certain balance is reached between the pressure that arises when the valve opens and closes so that a low-load carrying spring can be used so that no effort whatsoever is involved in opening the valve.

The pressure of the air flowing through the nozzle generates a reaction on the part of the pad, which subsequently opens. The pad is perforated as well and placed at the edge of the shaft, where the pressure is contrasted by the combined force of the spring and the air penetrating the balance chamber.

The end result of this in practical terms is a breathing effort reduced to near in-existent levels, and an outstanding level of performance even in very deep waters.

The adjustable Galaxy/Master second-stage regulator makes it possible to modify the inhalation effort thanks to the external metal knob, thus directly affecting inhalation resistance. In practice, screwing the external knob clockwise increases inhalation resistance whereas screwing it anticlockwise decreases inhalation resistance. This regulation system includes two seals designed to protect the water infiltration mechanism. When adequately lubricated during manufacturing/maintenance phase, these seals protect the mechanism thread from the formation of oxide which could stiffen or even block the rotation of the regulation knob.

This way, the knob remains consistently effortless and the subsequent adjustment of the inhalation effort can be achieved with precision and ease as the regulating mechanism thread remains waterproof.

The Galaxy second-stage regulator (fig.12) doesn't allow you to adjust the inhalation effort since it isn't equipped with the regulation mechanism. It does however include all the other features of the adjustable Master version.

The adjustable nozzle is positioned inside the valve compartment so that when the mechanism is opening, the air that comes out of it is directed towards the mouthpiece thanks to the extremely precise and detailed design of the inner walls and casing of the regulator.

In order to ensure the negative pressure isn't too violent for the body - which could potentially suck the diaphragm back in and make the regulator to free-flow - there's a diaphragm balance hole inside the valve unit.

Once the airflow delivered through the injector and directed towards the mouthpiece becomes consistent, it generates negative pressure inside the regulator casing due to the increase in airflow speed. This phenomenon of negative pressure called the "Venturi effect", keeps the diaphragm flat, which in turn significantly reduces the inhalation effort of the diver.

The Venturi effect immediately ceases as soon as the diver stops breathing; the diaphragm then reverts back to its normal position and the lever, actioned by the spring, lifts up and makes the piston touch the nozzle, which interrupts the passage of air.

In order to enhance the Venturi effect, both stages of Cressi-Sub regulators are equipped with an air flow deflector which can be positioned two ways, as indicated by the etched scale on the casing:

In the first position, the flow-limitation device placed in the mouthpiece's inlet duct, is actioned and the Venturi effect is stopped and any free-flowing is prevented. In the "+" position however, the Venturi effect is unrestrained and the air flow provided by the regulator to the maximum level subsequently increases.



DIVE

PRE-DIVE



Fig. 15

**⚠ WARNING:** always remember to keep the flow deflector lever in pre-dive position (-) when the regulator is not in use; if not, any accidental impact or pressure on the manual switch when the regulator isn't positioned inside the mouth, or if it is suddenly removed or the self-breathing apparatus falls into the water, can generate even violent high air-consumption free-flowing. The dive position (+) must exclusively be used underwater and only when the regulator is positioned inside the mouth.

When the diver is breathing, he generates an increase in the pressure inside the regulator casing which opens the oblique elliptical release valve whose larger diameter makes it possible for the air to exit outwards. The exhaust port delivers the air to the sides of the head and prevents the valve being opened because of potential water turbulence, or from being flooded whenever the inner case is not being pressurized.

Another special feature to be found in Cressi-Sub's second-stage regulators comes into play when the regulator is used in cold waters (water temperature of  $<10^{\circ}\text{C}$  or  $50^{\circ}\text{F}$ ), a feature engineered with great precision and detailed attention and made possible thanks to the special design of the regulator's valve unit.

Indeed the valve unit's internal flap takes advantage of the temperature increase generated by the diver when he/she exhales, specifically around the nozzle area of the valve, where the risk of freezing is the highest. This patented system greatly enhances the regulator's freeze-resistance.

**⚠ WARNING:** for diving in cold waters (temperature  $<10^{\circ}\text{C}$ ) Cressi-Sub recommends the use of a tank with a pillar valve with two independent outputs, to which two complete regulators can be connected.

**⚠ WARNING:** adequate technical preparation is required before undertaking cold water diving (temperature  $<10^{\circ}\text{C}$ ). Cressi-Sub recommends undertaking this type of diving only after having taken a specific training course with qualified instructors. The use of diving equipment in cold water without a certification or adequate technical preparation is potentially dangerous for the diver's health and wellbeing.

It is important not to wet the regulator before use (it would then be exposed to an air temperature of potentially well under zero degrees).

Do not use the purge button, particularly when the adjustable Venturi effect knob is in the "dive" position. If possible, keep the regulator in a warm environment before use.

The Cressi-Sub balanced second-stage regulators are connected to one of the  $3/8"$  ports of the first-stage via a new medium-pressure, high-capacity flexible hose in thermoplastic, a material which has excellent mechanical qualities, very high elastic flexibility and remains anti-kink in any situation due to its internal structure. This high-performance material, combined with the regulators' special aesthetically pleasing look and scratch-resistant features make them unique on the current market. Production batches per tube and fittings are labelled according to standard EN 250:2014.

All Cressi-Sub second-stage regulators are downstream, i.e. equipped with an automatic valve opening in the event of first-stage calibration loss or a sudden increase in intermediate pressure.

This means that any excess upstream pressure on the second-stage will never lead to the regulator getting blocked but indeed to spontaneous free-flowing.

The casing of Cressi-Sub second-stage balanced regulators is made of new engineered fabrics with impressive mechanical qualities and characteristics, noise-absorption being one of them. The new cap (only in the adjustable version) is aesthetically pleasing and designed with special etched Titanium, a material of unsurpassable lightness and corrosion resistance.

The aforementioned cap is computer-designed and the various water passages in the frontal parts of the casing have been thoroughly studied in order to enhance and improve the already impressively high level of performance of Cressi-Sub second-stage regulators.

Cressi-Sub second-stage regulators meet the requirements set by standard EU 250:2014 in compliance with regulation UE 2016/425 which sets out the conditions for bringing to market and the minimal essential safety requirements of PPE. Consequently, they bear the CE mark followed by the certifying agency identification number 0474, identifying RINA, the registered testing agency that monitors its manufacture pursuant to Form B+C2 of the EU 2016/425 regulation, as well as the critical health and safety requirements for category III PPE. It also regulates the conditions for bringing such equipment to market.

## **2.2. - Galaxy Adjustable / Master / Master Cromo / Galaxy, Octopus MG Balanced disassembly and maintenance**

In designing the Master regulator, quick and easy dismantling and maintenance were taken into account, as they are indispensable features for a regulator that is always perfectly serviced, calibrated and efficient.

**⚠ WARNING:** *the dismantling, maintenance and calibration of the 2nd stage regulators should only be carried out by authorized Cressi-Sub centres and the calibration values CANNOT and MUST NOT be changed by the user, to avoid prejudicing the safe operating of the regulator. We cannot be held in any way liable for any intervention carried out by technicians that have not been authorised by Cressi-Sub.*

You can open and dismantle the second-stage regulator by using the Allen key provided, in order to dismantle the first stage HP and LP plugs, directly accessing its internal mechanics. This extraordinary feature, which is patented and found nowhere else on the market, makes it very easy to open and clean the casing, as well as check the smooth-functioning of each and every component.

Indeed, the cap and central chamber of the exhaust are mechanically connected thanks to the innovative patented “cam-lock” system that enables an ultra-fast “hinged” opening and closing of the case, which simultaneously blocks the cap and the diaphragm with extreme efficiency and precision.

Opening and closing your regulator has never been as safe and easy!

In keeping with our objective of quick and easy control maintenance and tuning operations, the mechanics of Cressi-Sub second-stage regulators have been designed so as to be instantly removable, without risking altering the level of calibration. Dismantling and replacing worn components whenever maintenance interventions are required can be carried out with the whole mechanics system having been removed from the casing, making it much easier to complete operations.

Logon to our website: [www.cressi.com](http://www.cressi.com) for further important information about our products and equipment.

### 2.3 - XS Compact Pro / XS Compact / Octopus

The line of XS Compact second stages features revolutionary “downstream” regulators that are lightweight (just 135 gr - the lightest in the Cressi-sub line), with incredibly sleek design.

With a design that puts the accent on quality raw materials, they offer a number of innovative features, protected by various patents, and are produced in two distinct versions: XS Compact PRO and XS Compact together with their respective Octopuses. The XS Compact PRO model together with its relative Octopus called Octopus Compact PRO may only be used in combination with the first stage MC9 S.C., since it has been specifically designed for use in cold waters ( $T < 10^{\circ}\text{C}$ ), thanks to the revolutionary technology intrinsic in the material of the 2nd stage casing made from a new heat conductive techno polymer. This material, thanks to its high thermal conductivity, guarantees advanced heat exchange between ambient temperature and the internal temperature in the regulator, preventing icing phenomena in the second stage, which is generally due to the formation of micro-crystals of ice (the result of the natural humidity inside the second stage), following an abrupt drop in the temperature of the air arriving from the first stage which, as it expands during inhalation inside the second stage, in cold water can drop to a few degrees below zero.

**⚠ WARNING:** *In the case of dives in cold water (temperatures lower than  $10^{\circ}\text{C}/50^{\circ}\text{F}$ ), Cressi-sub recommend using a tank supplied with a valve featuring two separate outlet ports, with which two complete regulators can be connected.*

**⚠ WARNING:** *diving in cold water at temperatures lower than  $10^{\circ}\text{C}/50^{\circ}\text{F}$  requires special technical training. Cressi-sub recommends this sort of diving only after having attended a special training course by certified trainers. The use of underwater equipment without a licence or adequate training may be dangerous for the diver's health safety and can even be deadly. The regulator must absolutely not get wet or be exposed to freezing air before use. Do not press the discharge button, particularly when the Venturi effect adjustment lever is on “dive”. If possible, keep the regulator in a warm place before use.*



Fig. 16 - XS Compact PRO



fig.17 - XS Compact

The XS Compact model and its relative Octopus called octopus Compact may be sold in combination with various first stage products of the Cressi sub range, which have the same components and functional characteristics but differ in their combinations thanks to the variously coloured caps. All types of XS Compact second stage are designed for use in warm water (>10°C/50°F) and guarantee the easiest use to both the beginner and the most experienced diver, offering a complete range of regulators for any type of use.

The case of the XS Compact second stage is made of a new elastic techno-polymer that offers excellent mechanical qualities and that is extremely carefully finished, including 3D photo-incision anti-scratch treatment to protect it from shocks and abrasions to make it exceptionally durable.



fig.18 – XS Compact Octopus

When the diver exhales, he causes the pressure inside the case. The cap of the XS Compact second stage features a larger manual airflow button, with a functional return that is better than previous regulators in the Cressi-sub line. It also has a special asymmetrical design in the way the holes are distributed that calibrates the flow of water in order to better optimize the regulator performance.

Second stages in the XS Compact line have been designed to deliver air on demand, that is, only when the diver inhales through the mouthpiece, creating a light depression inside the regulator. This light depression, which is slight enough not to cause breathing effort, works in combination with the external pressure to press against the XS Compact diaphragm, which is properly calibrated to ensure the best useful working surface. In this way the breathing effort is kept at the lowest level while the performance is guaranteed to be the same as that of much larger regulators.

The circular diaphragm, one of the smallest currently on the market, is sucked toward the inside of the case when the diver inhales, pushing the central Teflon coated plate into contact with a lever featuring a revolutionary new patented geometry and variable shape, designed to optimize and drastically reduce friction due to contact between the lever and the diaphragm, by focusing them in a single point on the plate. Friction between lever and plate, as happens in other regulators, is therefore avoided, along with the consequent reduction of the regulator's performance.

As it descends, the lever opens the air supply valve, which is also been completely redesigned for maximum manufacturing simplicity compared to previous models.

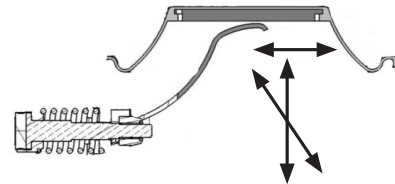


fig.19

The air exiting the nozzle on the adjustable valve when the mechanism is open is channelled into the injector, which carries it directly to the mouthpiece. Here, the air is accelerated by the Venturi effect, causing a vacuum inside the case. In order to prevent the depression from being too violent and sucking in the diaphragm, which would lead to free flow, the ends of injector and case are designed to optimize and direct a light counter-flow of air towards the diaphragm.

When the air flow inside the injector towards the mouthpiece increases, it is accelerated, as discussed above, by the Venturi effect.

The subsequent depression inside the regulator case keeps the diaphragm lowered, and virtually eliminates second stage inhalation effort.

The Venturi effect immediately stops as soon as the diver stops breathing. The diaphragm returns to its normal position, the lever comes up again pushed by its spring, and the nozzle is closed by the piston.

In order to enhance the Venturi effect, XS Compact is equipped with a new ergonomic flow deviator in two modes, which are clearly shown on the regulator: pre-dive and dive (Fig. 20). In the first mode, a flow limiting device placed in the mouthpiece inlet starts operating, and inhibits the Venturi effect, preventing free flow. With the latter on, the Venturi effect is able to work at its best, increasing the air flow released by the regulator to the maximum level.

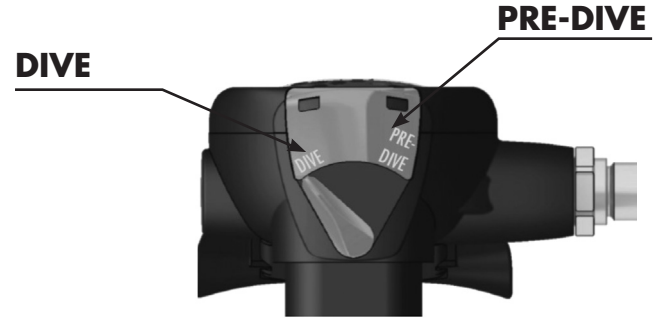


Fig. 20

**⚠ WARNING:** Always remember to set the flow deflector's lever in PRE-DIVE (-) mode when not using the regulator; otherwise, an accidental collision, the regulator falling into water, pressing the manual regulation button without having the mouthpiece in one's mouth, or suddenly taking the regulator out of the mouth might trigger a strong free flow, causing high air consumption.

When the diver exhales, he causes the pressure inside the case to increase and open the discharge valve. This valve, with a completely new design and specially calibrated dimensions, is conical in shape to guarantee a perfect seal for the regulator under all conditions and all positions during use. In addition, the second stage case exhaling section has been designed so as to offer the best performance in combination with the exhaling baffle.

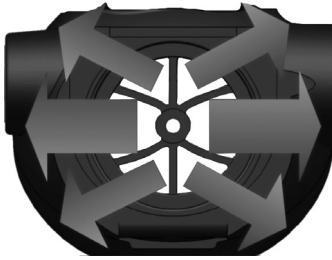


Fig. 21

The latter, which can be taken out of the case by means of a special sliding hook, directs all exhaled air away from the diver's face, thanks to a partition placed on its centre which presses the discharge valve in its middle section ensuring that it opens in an extremely controlled way. This way, the regulator's exhaling performance is optimized while also protecting the valve from turbulence in the water that might otherwise open it when the inside of the case is not pressurized, leading to flooding.



Fig. 22

The second stage is connected to one of the 3/8" LP ports on the first stage by means of an extremely light and flexible medium-pressure hose, made of a state-of-the-art thermoplastic material that is extremely durable, lightweight, and with excellent flow capacity.

## 2.4 - XS Compact Pro / XS Compact disassembly and servicing

When designing the XS Compact regulator, particular attention was paid to the disassembly and servicing phases, which can always be carried out in utmost safety thanks to its innovative features that make all servicing phases easier, as maintenance is crucial to always have a perfectly serviced, calibrated, and high-performing device.

**⚠ WARNING:** *intermediate pressure must be set only at authorized Cressi-sub centres, while the setting values can NOT and must NOT be modified by the user, in order not to affect the regulator's performance. Cressi-sub decline any responsibility for any intervention carried out by unauthorized personnel.*

**You can find your authorized Cressi-Sub center by asking your dealer, or Cressi Sub S.p.A. itself (email: [info@cressi.com](mailto:info@cressi.com)).**

**NOTE:** *we recommend to have the regulator completely serviced yearly or even oftener in case of intensive use; only original Cressi-sub spare parts are to be used.*

The unique bayonet mount lock system of the cap allows the case to be easily opened and closed, and at the same time it locks cap and seal in all safety and precision; there is no mechanic coupling thread as in most other regulators on the market, that may cause problems affecting their performances. Moreover, a specially sized mechanic insert guarantees the regulator to be safely and precisely locked.



Fig. 23

Opening and locking a common circular seal case regulator has never been so easy as well as so safe. Every operation of checking, servicing and setting of the second stage is made easier and faster.

To reach this goal, we designed a revolutionary patented cap on the device side, which avoids using a threaded coupling. The valve as well can be serviced and set in an extremely easy way guaranteeing the second stage utmost performance and perfect tightness.

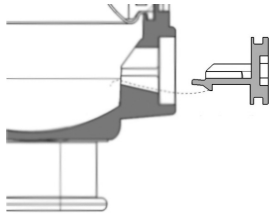


Fig. 24

**⚠ WARNING:** *the second stage can be opened, disassembled and set only and exclusively at authorized Cressi-sub centres; the setting values CANNOT and MUST NOT be varied by the user, so as not to affect the device performances. We decline any responsibility for any operation carried out by unauthorized personnel.*

**NOTE:** *we recommend to have the regulator completely serviced yearly or even oftener in case of intensive use; only original Cressi-sub spare parts are to be used.*

Visit our site [www.cressi.com](http://www.cressi.com): you will find more information about our equipment.

## 2.5 - XS2

Second stage supplies air “on demand”, that is only when the diver inhales from the mouthpiece, causing a slight vacuum inside the regulator, which must be very slight in order not to make breathing difficult. Such vacuum acts on the diaphragm, which is sucked in towards the inside, causing the central plate to touch the lever. The latter opens the air supply valve.



Fig. 25



Fig. 26

The valve of XS2 is composed of a renovated modular poppet in plastic and chromium-plated brass, which is interchangeable with previous models of XS range: on one side, it is connected to the lever, on the other side, it houses a newly designed thicker rubber pad, closing the new adjustable nozzle, through which the air flows at a pressure by 10 bar (145 psi) higher than the environmental.

The air contained in the nozzle pushes the pad, which is contrasted by the poppet's spring.

Therefore, the renovated poppet “floats” between the push of inflowing air and the spring which, having a slightly higher strength, closes the nozzle perfectly.

The adjustable nozzle is placed inside the valve seat. The outflow air, when the mechanism is open, is directed through the injector and directly into the mouthpiece.

When the air flow inside the injector towards the mouthpiece increases, it generates a vacuum inside the regulator's case, due to its acceleration. This vacuum, called Venturi effect flattens the diaphragm, remarkably reducing the diver's breathing effort. The Venturi effect immediately stops as soon as the diver stops breathing. The diaphragm returns to its normal position, the lever comes up again pushed by its spring, and the nozzle is closed by the piston.

To optimize the Venturi effect, XS2 CE is supplied with a flow deflector with two operating modes, clearly shown by the scale on the regulator housing:

pre-dive "-" and dive "+" (picture 27). In first mode, a flow limiting device placed in the mouthpiece inlet starts operating and inhibits the Venturi effect, preventing free flow. In "+" mode, the Venturi effect works at its best, increasing the air flow supplied to the regulator to the maximum level.

**⚠ WARNING:** *Always remember to set the flow deflector's lever in pre-dive (-) mode when not using the regulator; otherwise, an accidental collision, the regulator falling into water, pressing the manual regulation button without having the mouthpiece in one's mouth, or suddenly taking the regulator out of the mouth might operate a strong free flow, causing high air consumption.*

*The dive (+) mode can only be used while diving and only when the regulator is inside the mouth.*

When the diver exhales, the pressure inside the regulator's case increases, opening the exhaust valve. This has been fully redesigned and shows a larger diameter as well as a specially angled conical shape, allowing air to flow outside. The exhaust tee directs the air towards the head's sides and protects the valve from water turbulences which might lift it, when the inside is depressurized, and flood it.

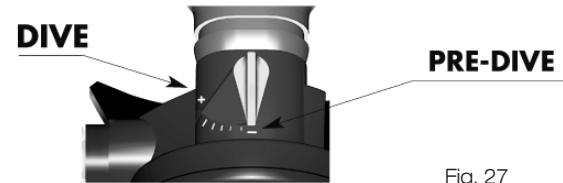


Fig. 27

The 2nd stage is connected to one of the first stage's 3/8" ports by means of a flexible medium pressure and high capacity hose.

All Cressi-sub second stages are downstream, that is the valve automatically opens in case of calibration loss of first stage or of a sudden intermediate pressure increase.

This means that any condition of over pressure upstream the second stage leads to automatic free flow, never causing the regulator to get stuck.

XS2 features a case in new techno-polymers with excellent mechanic qualities and an attractive aggressive look. The maintenance is outstandingly easy and affordable, still easier on this model thanks to a side tap, with its own O-Ring, for the valve precise setting.

**⚠ WARNING:** *intermediate pressure must be set only at authorized Cressi-sub centres, while the setting values can NOT and must NOT be modified by the user, in order not to affect the regulator's performance. Cressi-sub decline any responsibility for any intervention carried out by unauthorized personnel. **You can find your authorized Cressi-Sub center by asking your dealer, or Cressi Sub S.p.A. itself (email: info@cressi.com).***



Inner components are in chromium-plated brass, stainless steel and acetyl resins; springs are in stainless steel, diaphragms in silicone, O-rings in NBR and the mouthpiece in comfortable hypoallergenic silicone.

Cressi-Sub second-stage regulators meet the requirements set by standard EU 250:2014 in compliance with regulation UE 2016/425 which sets out the conditions for bringing to market and the minimal essential safety requirements of PPE. Consequently, they bear the CE mark followed by the certifying agency identification number 0474, identifying RINA, the registered testing agency that monitors its manufacture pursuant to Form B+C2 of the EU 2016/425 regulation, as well as the critical health and safety requirements for category III PPE. It also regulates the conditions for bringing such equipment to market.



Direction for use regulators

## 2.6 - Performance Second Stages

## 2.6 - Performance

<b>Galaxy Adjustable / Master</b>	
Working pressure	0÷232 bar (INT); 0÷300 bar (DIN)
Calibration pressure (with 200 bar supply)	9,5 bar (T10 S.C. - T10 S.C. Cromo)
Average inhalation effort (*)	3 mbar
Average exhalation effort (*)	7 mbar
Average work of breathing (*)	0,6 J/l
Air Supply	2500 l/min.
Weight without hose	207 gr

(\*) Values measured in compliance with standard EN 250:2014.

<b>Galaxy</b>	
Working pressure	0÷232 bar (INT); 0÷300 bar (DIN)
Calibration pressure (with 200 bar supply)	9,5 bar (T10 S.C.)
Average inhalation effort (*)	3 mbar
Average exhalation effort (*)	7 mbar
Average work of breathing (*)	0,6 J/l
Air Supply	2500 l/min.
Weight without hose	182 gr

(\*) Values measured in compliance with standard EN 250:2014.

## 2.6 - Performance

<b>XS Compact Pro/ XS Compact / Octopus</b>	
Working pressure	0÷232 bar (INT); 0÷300 bar (DIN)
Calibration pressure (200 bar feeding)	9,5 - 10 bar (MC9 - MC5 - AC2)
Average inhalation effort (*)	6 mbar
Average exhalation effort (*)	10 mbar
Average breathing effort (*)	1,1 J/l
Air supply	1600 l/min.
Weight without hose	135 gr

(\*) Values measured in compliance with EN 250:2014 standard.

<b>XS2</b>	
Working pressure	0÷232 bar (INT); 0÷300 bar (DIN)
Calibration pressure (200 bar feeding)	9,5 - 10 bar (AC2)
Average inhalation effort (*)	10 mbar
Average exhalation effort (*)	13 mbar
Average breathing effort (*)	1,4 J/l
Air supply	1050 l/min.
Weight without hose	200 gr

(\*) Values measured in compliance with EN 250:2014 standard.





Direction for use regulators

**3 - Use and Maintenance**

### 3.1 - Use of the regulator and risk assessment

The regulator should be used only by divers who have attended and completed successfully a special technical training course, obtaining an underwater licence.

Nonetheless, before any use all environmental conditions should be assessed, as well as the diver's psychophysical state: if just one aspect is risky, diving must be avoided.

Among possibly risky environmental conditions, are the sea state, the presence of currents, particularly low water temperature, reduced visibility.

Among psycho-physical conditions, please consider imperfect health, emotional or physical stress, lack of training, tiredness, bad digestion.

Do not forget that after a long time without diving, you are particularly at risk, since you might have lost part or all of the skills learnt at the training course.

Cressi-sub regulators' top quality materials and anti-corrosion treatments allow their use in full safety.

Please remember that the depth of equipment certification is 164ft (50m), in compliance with the EN 250:2014 standard, which purpose is to ensure a minimum level of safe operation of the apparatus down to a maximum depth of 164ft (50m), but recreational diving should not be deeper than 146ft (40m), without any type of underwater work.

### 3.2 - Checks before use

Before using your Cressi-sub regulator, we recommend to carry out some easy though very important and unavoidable checks, in order to avoid any kind of problem.

Check, for example, if the hoses are perfectly connected with the first stage: in case they can be manually disconnected, you should screw them down with a key, before loading the regulator. Moreover, check the hoses do not look worn in any way and are not cut or damaged at all.

In the same way, check the first and second stages for any damage: check, for example, the second stage's mouthpiece for cuts or scratches and connect it perfectly with the first stage by means of a lock band.

Before opening the tank's valve, check the underwater pressure gauge reports zero pressure.

The tanks' pressure must be checked by means of the special underwater gauge or of a computer with such function: after opening the tank's valve, the gauge must show the tank's correct working pressure.

**⚠ WARNING:** *the regulator must be checked out of the water, by depressing the manual supply button repeatedly, in order to check the regular air supply; then, wear your mouthpiece and make some deep inhalations and exhalations, in order to check its perfect working (not for use in cold water < 10°C / < 50°F).*

*The same must be done on the water surface, before plunging, wearing your mouthpiece and turning your head so that the regulator is completely under water: inhale and exhale deeply, in order to check its perfect working, in both phases of air supply and discharge.*

***This test must be done also with the reserve regulator, be it an independent regulator or an octopus (two second stages connected with an only first stage).***

Should you have also an “octopus” (two second stages connected with an only first stage) you must test the reserve second stage as well.

A last acoustic test might discover and/or point out possible losses from connections and hoses or a free air flow from the second stage: these are all anomalous situations requiring immediate servicing or replacement of damaged components.

Should these anomalies be revealed, DO NOT dive and get to an authorized Cressi-sub centre to ask for all necessary servicing, before using your equipment again.

**⚠ WARNING:** *After assembling and checking it, the regulator must be laid down horizontally, in order to prevent any accidental fall from causing damage to its components or injury to people.*

### 3.3 – Mounting the regulator to the tank

Before assembling, check the tank has been filled with exclusively compressed air working pressure, using a suitable compressor, which supplies breathable air in compliance with EN12021 standards. We remind that only test certified tanks can be filled within the lapse of time reported by the certificate itself.

**⚠ WARNING:** *check the perfect state of the valves watertight O-rings. They must not show any cut, scratch or other damage; they must be replaced anyway at regular intervals of time, even if being in perfect state, since they are subdued to the tanks air high pressure and to atmospheric agents as well. We recommend to use only original Cressi-sub spare parts.*

For yoke connected first stages, use following procedure: slightly unload the tank, opening its valve a little, in order to free its end from any residual water. After unscrewing the yoke’s lock knob, take the protection tap out of its seat and place the first stage

on the air exit valve, checking the second stage is positioned correctly. Now, screw the yoke’s knob to lock the first stage on the valve. You do not need to tighten the knob too much.

Open the tank valve, turning it anticlockwise, keeping pressed the manual supply button of the second stage for a while (this is to be avoided in cold water).

**⚠ WARNING:** *diving in cold water at temperature lower than 10°C/50 °F requires a special technical training. Cressi-sub recommend such diving only after attending a special training course by certified trainers. Using underwater equipment in cold water without adequate training may be dangerous for the diver’s health and life.*

*The regulator must absolutely not get wet and exposed to freezing air before use. Do not press the discharge button, particularly when the Venturi effect adjustment lever is on “dive”. If possible, keep the regulator in a warm place before use.*

We highly recommend, as a rule, to open the tank valve slowly, so that the regulator gets filled gradually. If the regulator gets pressurized too suddenly, in fact, it creates an adiabatic compression of the breathable gas inside the 1st stage, that might cause the equipment to work imperfectly. As soon as you hear air flowing out of the second stage, stop pressing the manual supply button and open the valve fully. It is advisable to turn the valve clockwise for a quarter, in order to avoid damaging the poppet thread.

For DIN connection first stages, assembling does not differ a lot from that described above.

You just have to screw the connection directly onto the valve, without tighten too much.

In case a second independent regulator is used, connect it to the additional valve outlet following the above instructions.

**⚠ WARNING:** *Do not turn the first stage connected with the tank when the system is pressurized; do not use the*



first stage connected with the valve as a handle to carry the equipment: it might damage the regulators, its O-rings and the valves.

**⚠ WARNING:** if the hoses are not positioned correctly, do not try to arrange them well when the regulator is pressurized. Close the tank, depressurize and, only then, position the hoses correctly.

**⚠ WARNING:** After assembling and checking it, the regulator must be laid down horizontally, in order to prevent any accidental fall from causing damage to its components or injury to people.

### 3.4 – Use of the regulator in cold water

If your regulator is certified to be used in cold water (temperatures < 10° C/50°F), Cressi sub recommend to follow carefully the following advices in order to reduce the risk of freezing:

1. Protect the regulator from any accidental water in flow into the first and second stages;
2. Protect the equipment from cold before diving, keeping it in a warm dry place;
3. Avoid breathing through the regulator or pressing the discharge button in freezing air before diving;
4. Avoid taking the mouthpiece out of your mouth when out of water and while getting into water, in order not to let cold water seep into the second stage;
5. As far as possible, avoid consuming a great amount of water by diving (inflating gaw, inflating surfacing or signalling buoy, sharing air with another diver etc.);
6. Check the air contained in the tank satisfies the requisites prescribed by EN 12021 standard and is free from excessive humidity.

**⚠ WARNING:** In case of dives in cold water (temperature less than 10°C/50° F), Cressi-sub recommend to use a tank supplied with a valve featuring two separate outlet ports, with which **two complete regulators** are to be connected.

**⚠ WARNING:** diving in cold water at temperature lower than 10°C/50 °F requires a special technical training. Cressi-sub recommend such diving only after attending a special training course by certified trainers. Using underwater equipment in cold water without adequate training may be dangerous for the diver's health and life.

The regulator must absolutely not get wet and exposed to freezing air before use. Do not press the discharge button, particularly when the Venturi effect adjustment lever is on "dive". If possible, keep the regulator in a warm place before use.

**⚠ WARNING:** if the components of the SCUBA equipment are configured and used simultaneously by multiple divers, the equipment may not be used at depths of greater than 30 meters, or at water temperatures below 10 °C.

### 3.5 – Care and maintenance of the equipment

#### 3.5.1. - Caring for the equipment

After use, close the tank valve turning it clockwise fully. Press the second stage manual supply button in order to let out all water from hoses and connections.

Disassemble the first stage unscrewing the knob anticlockwise.

Protect the sintered filter with your finger while blowing off all water and impurities from the protecting cap. Place now the latter on the first stage air inlet port and lock it with the knob, taking care the cap's O-ring is in place as well.

After every use, we recommend to rinse the regulator in fresh water while still pressurized: in this way, it is possible to wash the whole second stage, preventing any impurity from reaching the regulator, that might compromise its watertight capacity. Rinse the first stage letting water flow also through the second stage's mouth piece and the exhaust tees, in order to take off any impurity.

When rinsing the depressurized regulator, rinse the first stage letting water flow also through the second stage's mouthpiece and the exhaust tees, in order to take off any impurity: be sure not to press the manual supply button, in order to prevent water from flowing into the hoses and inside the first stage.

Let the regulator dry in a cool aired place, placing the hoses in such way as not to form acute angle folds.

Cressi-sub regulators must be serviced once a year and oftener in case of particularly intensive use.

**⚠ WARNING:** *intermediate pressure must be set only at authorized Cressi-sub centres, while the setting values can NOT and must NOT be modified by the user, in order not to affect the regulator's performance. Cressi-sub decline any responsibility for any intervention carried out by unauthorized personnel.*

**You can find your authorized Cressi-Sub center by asking your dealer, or Cressi Sub S.p.A. itself (email: [info@cressi.com](mailto:info@cressi.com)).**

If a regulator will be used by multiple people (schools, clubs, etc.), we recommend that it be disinfected using the following registered disinfectants for external use, to be diluted in cool water (hot water can damage the product's active ingredient) according to the preparation procedures described below. Select a well-ventilated location and take care to use protective gloves.

**TEGO 51** © diluted in water, on average from 2% or 4 teaspoons (20 ml) per liter of water to 3% or 2 spoonfuls (30 ml) per liter of water, depending on the usage condition of the regulators; or a packet of **TEGO 103**© diluted in approximately 5l of water; or **Neo Stereamine G (Katiosteril)** © diluted in water, again, on average from 2% or 4 teaspoons (20 ml) per liter of water to 3% or 2 spoonfuls (30 ml) per liter of water, and again depending on the usage condition of the regulators. The regulators must be immersed and left in the disinfecting solution for approximately 10-15 minutes, taking special care to ensure that the second stage is completely flooded, meaning the diaphragms and mouthpiece in the 2nd stage, as well as the outside of the first stage and the LP hose that connects the regulator set.

**IMPORTANT:** *the regulators must NOT be disassembled, and must be immersed in the disinfecting solution with all the HP and LP caps fitted on the first stage, meaning with the 1st*

*stage connection to the tank - whether Yoke or DIN - sealed so that no solution can get into the 1st stage itself.*

Although at their usage concentrations these products - which are used in a wide range of applications - are not irritants or corrosive to metal and rubber and leave little residue, which is imperceptible after drying and has no taste or odor, we nevertheless recommend **thoroughly rinsing the regulators after the disinfection process** with running water and then leaving them to dry in a cool, ventilated place, or using clean compressed air that satisfies the requirements of the standard before the regulators are used.

We strongly recommend that when sanitizing/disinfecting the regulators as described that you adopt common personal hygiene measures, such as: washing your hands frequently with soap or sanitizing hydro-alcoholic solutions; avoiding touching your eyes, nose, and mouth; using certified PPE such as protective masks and gloves when sanitizing/disinfecting the regulators.

Cressi-Sub second-stage regulators meet the requirements set by standard EU 250:2014 in compliance with regulation UE 2016/425 which sets out the conditions for bringing to market and the minimal essential safety requirements of PPE. Consequently, they bear the CE mark followed by the certifying agency identification number 0474, identifying RINA, the registered testing agency that monitors its manufacture pursuant to Form B+C2 of the EU 2016/425 regulation, as well as the critical health and safety requirements for category III PPE. It also regulates the conditions for bringing such equipment to market.

### 3.5.2. - Equipment maintenance

Cressi-sub recommend the regulator is serviced at least once a year, not withstanding the number of dives carried out. Servicing might also be more frequent according to intensive use. In both cases, please remember that both the diver's safety and the regulator's performance depend first of all on a correct servicing.

This must include an examination of the equipment, a full overhaul, and repair (where needed), by an authorized Cressi-Sub center and must be documented in the Service Record provided by Cressi-Sub and found in this manual in section 3.7.

In order to ensure the best results, when maintenance operation are performed, we recommend using all the spare parts provided by Cressi-Sub in every procedure.

Maintenance (or repair) operations for the equipment must exclusively use original Cressi-Sub spare parts.

Users must never perform maintenance themselves; all maintenance must be performed by an authorized Cressi-Sub center.

If improper maintenance is performed on the equipment, performed by someone other than authorized Cressi-Sub personnel, or used for purposes other than those specifically intended, responsibility for proper and safe operations fall to the owner/user.

**⚠ WARNING:** *the regulators must be serviced exclusively at an authorized Cressi-sub centre, using only original spare parts. Interventions carried out by untrained personnel may cause high risks to the diver's health and life. Cressi-sub decline any responsibility for any servicing or setting of the regulators carried out by unauthorized and uncertified personnel.*

**NOTE:** *You can find your authorized Cressi-Sub center by asking your dealer, or Cressi Sub S.p.A. itself by sending an e-mail to: [info@cressi.com](mailto:info@cressi.com)*

### 3.6 - Use with Nitrox mixtures

**⚠ WARNING:** *Cressi-sub discourages Nitrox dives without proper training. Nitrox dives will expose the diver to different risks than those of air dives, including serious physical damage and, in extreme cases, even death.*

**⚠ WARNING:** *as regards EEC countries, Cressi-sub regulators and octopus devices can only be used with atmospheric compressed air that meets the requirements of the EN 12021 standard. Do not use these devices with other gas mixtures or with enriched air (corresponding to  $O_2 > 22\%$ ). Failure to comply with this warning can lead to operating defects, and also cause the equipment to wear prematurely, or even lead to possible explosions, which can cause serious damage.*

**⚠ WARNING:** *as regards Extra-EEC countries, Cressi-sub regulators and octopus are compatible with the use of open-circuit SCUBA equipment that uses compressed air or enriched air mixtures (Nitrox) with oxygen percentages no greater than 40%. Failure to observe this warning may result in serious or mortal injury to the user caused by fires, explosions, or deterioration or breakage of the equipment.*

All Cressi-sub regulators use specific O-rings and all inner components are lightly greased with appropriate lubricants that guarantee by far the best lubrication and protection from the salty and corrosive sea environment.

The European EN13949 reference standard for Nitrox establishes that all equipment used with mixes containing more than 22% oxygen must be designed to withstand adiabatic compression with pure oxygen, as dictated by the requirements and tests in the standard itself, while standard EN 144/3 establishes and regulates that first stage connections required for use with Nitrox be designed and produced for use exclusively with Nitrox tanks and valves, using specific connections for the tank valve, as for example a threaded DIN M26 x 2 connection, in order to prevent the risk of confusing regulators intended for use with Nitrox with those of standard manufacture intended for compressed air.

Cressi-sub regulators are therefore EC certified only for use with air and mixtures containing less than 22% oxygen, and must not be used, in EEC countries, with hyper-oxygenated mixtures.

### 3.7 - Maintenance/recording of procedures (Service Record)

MODEL	SERIAL NUMBER	DATE	DEALER NAME	TECHNICIAN'S NAME	NOTES ON PROCEDURES (Date of the next scheduled maintenance)	SIGNATURE

### 3.8 - Cressi-sub Regulators CE Certified Combinations.

Note: Cressi sub regulators can only be used as SCUBA component assemblies according to the following certified combinations in compliance to the safety requirements of EU Regulation 2016/425 and to the requirements of EN 250:2014 standard.

	FIRST STAGES						
	T10 S.C.	T10 S.C. CROMO	MC9 S.C.	MC9	MC5	AC25 m/g	AC2
<b>Galaxy Adjustable</b>		● A<10°					
<b>Galaxy</b>		● A<10°					
<b>Master</b>	● A<10°						
<b>Master (Cromo)</b>		● A<10°				● A>10° (m)	
<b>XS Compact Pro</b>		● A<10°	● A<10°				
<b>XS Compact</b>				● A>10°	● A>10°	● A>10° (m/g)	● A>10°
<b>XS2</b>							● A>10°
<b>Octopus XS Compact Pro</b>	A<10°	A<10°	A<10°			A>10°	
<b>Octopus XS Compact</b>				A>10°	A>10°	A>10°	A>10°
<b>Octopus XS2</b>				A>10°	A>10°	A>10°	A>10°
<b>Octopus MG Balanced</b>	A<10°	A<10°				A>10°	

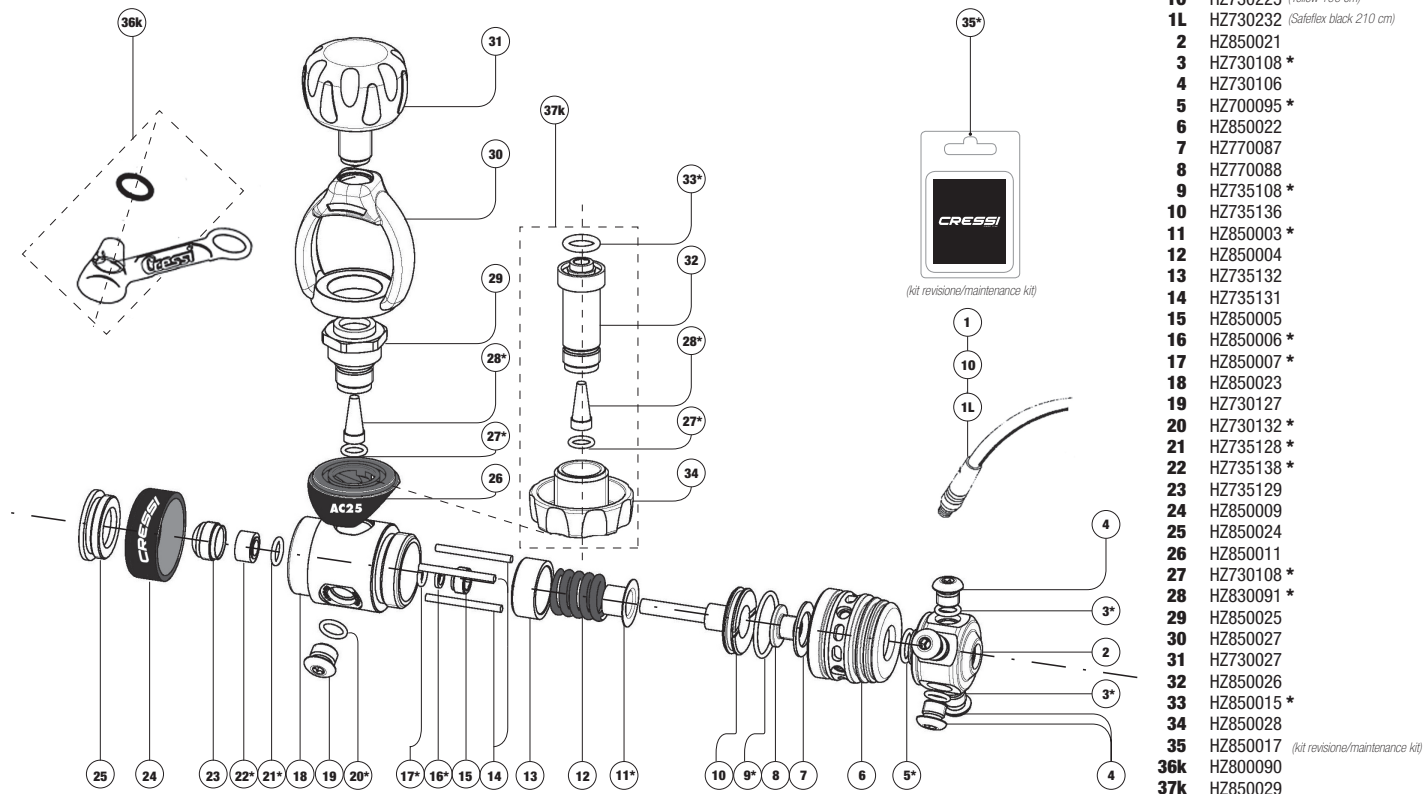
**SECOND STAGES**

# **CRESSI**

SINCE 1946

## *Regulators Chart*

**Primi Stadi**  
**First Stages**  
**Premiers Etages**  
**Erste Stufen**  
**Primeras Etapas**  
**ВТОРЫЕ СТУПЕНИ**  
**一级头**



- 1** HZ730230 (Safelex black 80 cm)
- 1L** HZ730231 (Safelex black 150 cm)
- 10** HZ730225 (Yellow 100 cm)
- 1L** HZ730232 (Safelex black 210 cm)
- 2** HZ850021
- 3** HZ730108 \*
- 4** HZ730106
- 5** HZ700095 \*
- 6** HZ850022
- 7** HZ770087
- 8** HZ770088
- 9** HZ735108 \*
- 10** HZ735136
- 11** HZ850003 \*
- 12** HZ850004
- 13** HZ735132
- 14** HZ735131
- 15** HZ850005
- 16** HZ850006 \*
- 17** HZ850007 \*
- 18** HZ850023
- 19** HZ730127
- 20** HZ730132 \*
- 21** HZ735128 \*
- 22** HZ735138 \*
- 23** HZ735129
- 24** HZ850009
- 25** HZ850024
- 26** HZ850011
- 27** HZ730108 \*
- 28** HZ830091 \*
- 29** HZ850025
- 30** HZ850027
- 31** HZ730027
- 32** HZ850026
- 33** HZ850015 \*
- 34** HZ850028
- 35** HZ850017 (kit revisione/maintenance kit)
- 36k** HZ800090
- 37k** HZ850029

**1° Stadio a pistone Bilanciato AC25g C€ /Balanced Piston 1<sup>st</sup> Stage AC25g C€**

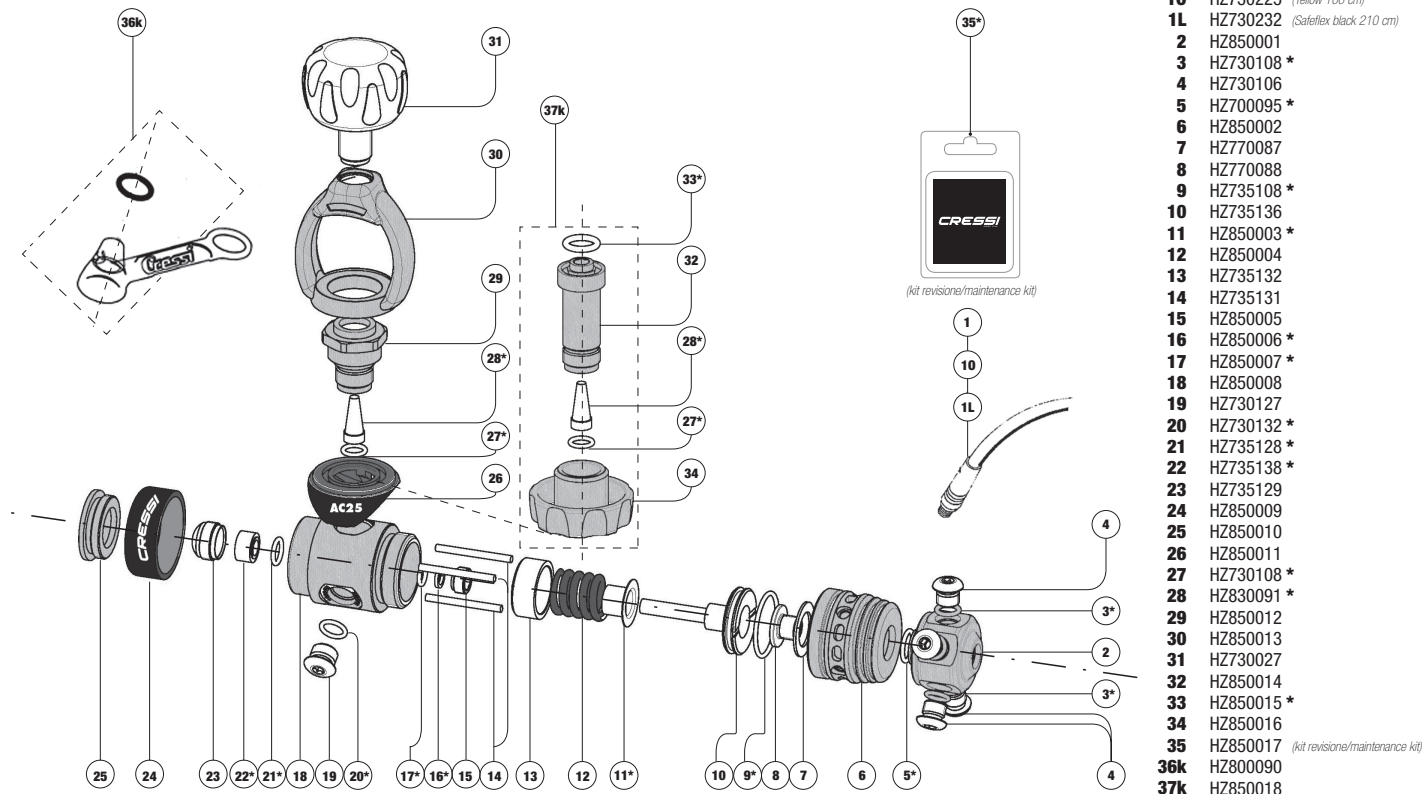
**Ed./Issue**

**11/19**

**AC25g/A**

**N° Tav./Rev.**

HZXXXXXX\* Contenuto nel kit revisione e non disponibile singolarmente. / Only available in maintenance kit; not available individually. HZXXXXXX Non disponibile / Not available.



- 1** HZ730230 (Safeflex black 80 cm)
- 1L** HZ730231 (Safeflex black 150 cm)
- 10** HZ730225 (Yellow 100 cm)
- 1L** HZ730232 (Safeflex black 210 cm)
- 2** HZ850001
- 3** HZ730108 \*
- 4** HZ730106
- 5** HZ700095 \*
- 6** HZ850002
- 7** HZ770087
- 8** HZ770088
- 9** HZ735108 \*
- 10** HZ735136
- 11** HZ850003 \*
- 12** HZ850004
- 13** HZ735132
- 14** HZ735131
- 15** HZ850005
- 16** HZ850006 \*
- 17** HZ850007 \*
- 18** HZ850008
- 19** HZ730127
- 20** HZ730132 \*
- 21** HZ735128 \*
- 22** HZ735138 \*
- 23** HZ735129
- 24** HZ850009
- 25** HZ850010
- 26** HZ850011
- 27** HZ730108 \*
- 28** HZ830091 \*
- 29** HZ850012
- 30** HZ850013
- 31** HZ730027
- 32** HZ850014
- 33** HZ850015 \*
- 34** HZ850016
- 35** HZ850017 (kit revisione/maintenance kit)
- 36k** HZ800090
- 37k** HZ850018

**1° Stadio a pistone Bilanciato AC25m C€ /Balanced Piston 1<sup>st</sup> Stage AC25m C€**

**Ed./Issue**

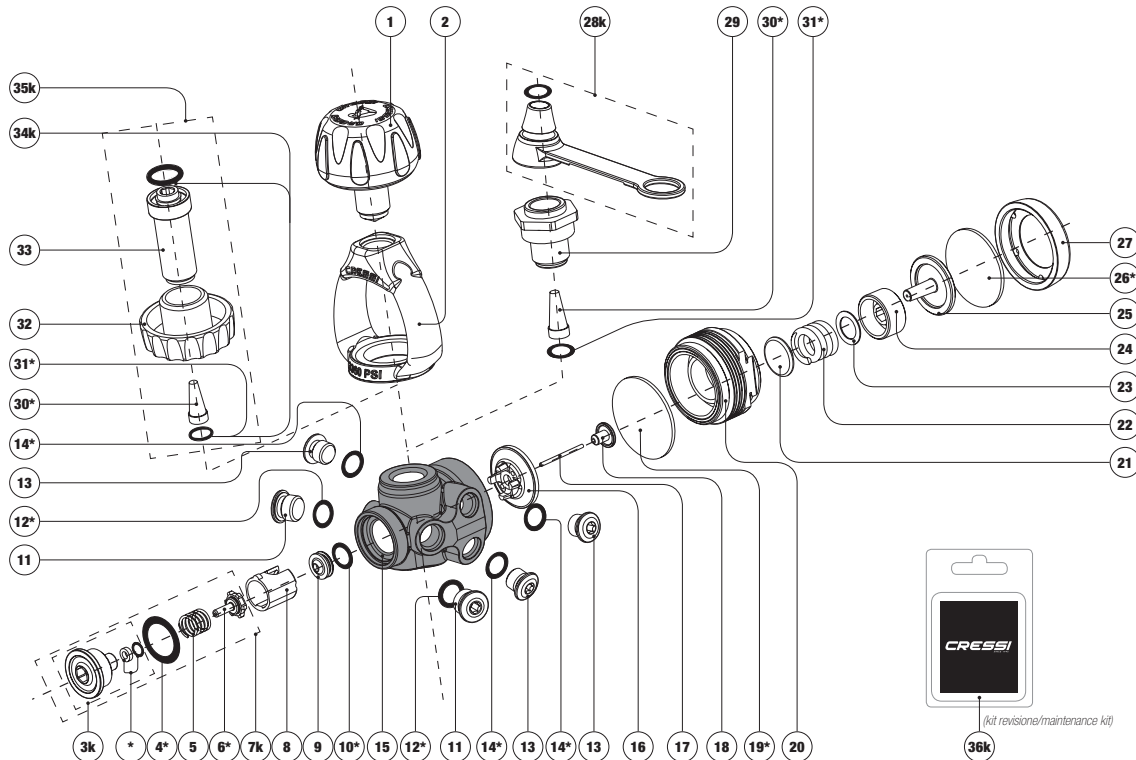
**11/19**

**AC25m/A**

**N° Tav./Rev.**

*HZXXXXXX\* Contenuto nel kit revisione e non disponibile singolarmente. / Only available in maintenance kit; not available individually. HZXXXXXX Non disponibile / Not available.*

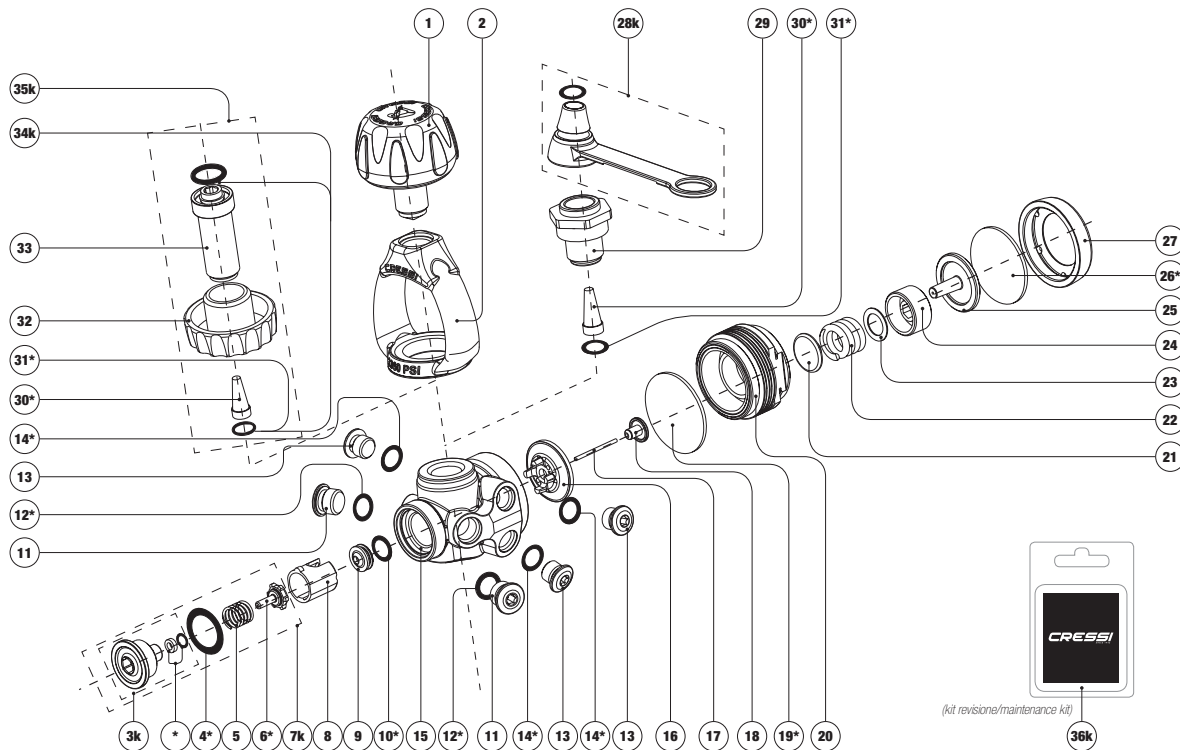




- 1 HZ730027
- 2 HZ770080
- 3k HZ830081 \*
- 4 HZ830082 \*
- 5 HZ800086
- 6 HZ800085 \*
- 7k HZ830083
- 8 HZ830084
- 9 HZ800042
- 10 HZ800043 \*
- 11 HZ730127
- 12 HZ730132 \*
- 13 HZ730106
- 14 HZ730108 \*
- 15 HZ830085
- 15 HZ830089 Chrome
- 16 HZ830086
- 17 HZ800038
- 18 HZ830088
- 19 HZ800082 \*
- 20 HZ830080
- 21 HZ800081
- 22 HZ800080
- 23 HZ800064
- 24 HZ800065
- 25 HZ800010
- 26 HZ800011 \*
- 27 HZ800079
- 28k HZ800090
- 29 HZ830090
- 30 HZ830091 \*
- 31 HZ730108 \*
- 32 HZ830092
- 33 HZ830093
- 34k HZ830094
- 35k HZ830035
- 36k HZ800045 \*

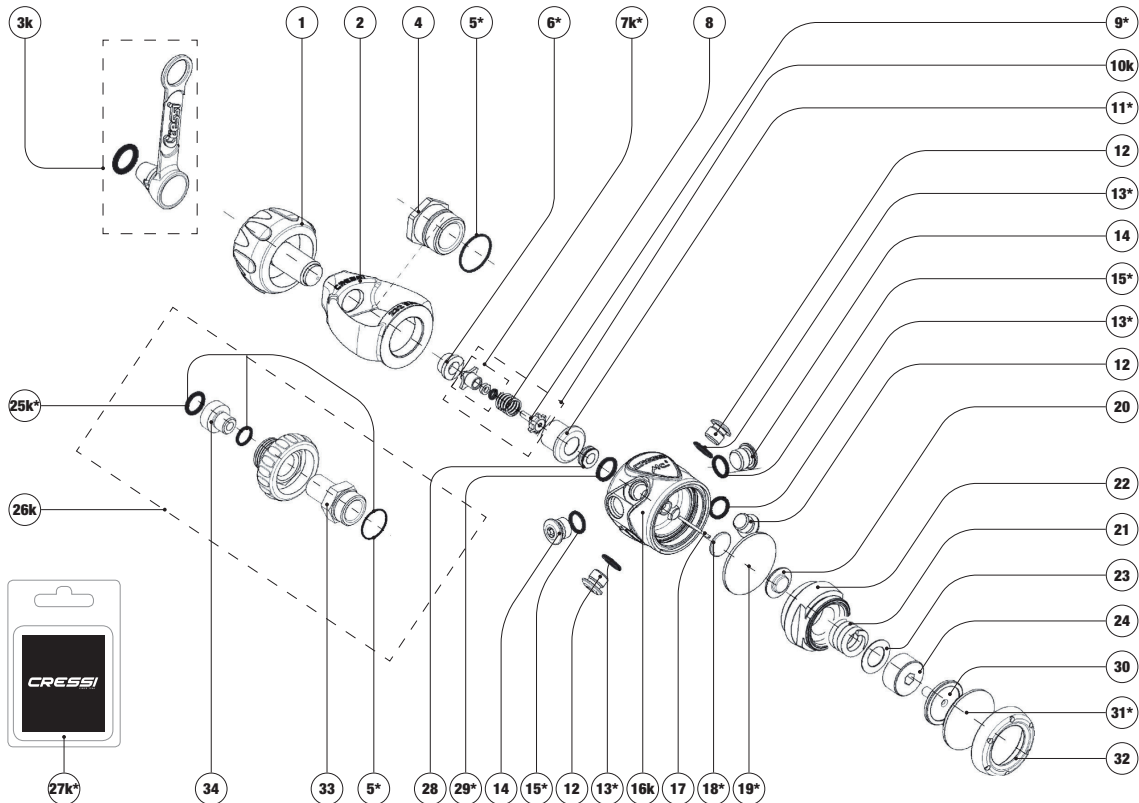


HZXXXXXX\* Contenuto nel kit revisione e non disponibile singolarmente. / Only available in maintenance kit; not available individually. HZXXXXXX Non disponibile / Not available.



- |     |                 |
|-----|-----------------|
| 1   | HZ730027        |
| 2   | HZ770080        |
| 3k  | HZ830081 *      |
| 4   | HZ830082 *      |
| 5   | HZ800086        |
| 6   | HZ800085 *      |
| 7k  | HZ830083        |
| 8   | HZ830084        |
| 9   | HZ800042        |
| 10  | HZ800043 *      |
| 11  | HZ730127        |
| 12  | HZ730132 *      |
| 13  | HZ730106        |
| 14  | HZ730108 *      |
| 15  | HZ830085        |
| 15  | HZ830089 Chrome |
| 16  | HZ830086        |
| 17  | HZ800038        |
| 18  | HZ830088        |
| 19  | HZ800082 *      |
| 20  | HZ830080        |
| 21  | HZ800081        |
| 22  | HZ800080        |
| 23  | HZ800064        |
| 24  | HZ800065        |
| 25  | HZ800010        |
| 26  | HZ800011 *      |
| 27  | HZ800079        |
| 28k | HZ800090        |
| 29  | HZ830090        |
| 30  | HZ830091 *      |
| 31  | HZ730108 *      |
| 32  | HZ830092        |
| 33  | HZ830093        |
| 34k | HZ830094        |
| 35k | HZ830035        |
| 36k | HZ800045 *      |

(kit revisione/maintenance kit)



- |  |           |
|--|-----------|
| 1                                      | HZ730027  |
| 2                                      | HZ770080  |
| 3k                                     | HZ800090  |
| 4                                      | HZ800054  |
| 5                                      | HZ800055* |
| 6                                      | HZ800056* |
| 7k*                                    | HZ800057* |
| 8                                      | HZ800086  |
| 9                                      | HZ800085* |
| 10k                                    | HZ800058  |
| 11*                                    | HZ800059* |
| 12                                     | HZ730106  |
| 13*                                    | HZ730108* |
| 14                                     | HZ730127  |
| 15*                                    | HZ730132* |
| 16k                                    | HZ800040  |
| 17                                     | HZ800038  |
| 18                                     | HZ800062* |
| 19                                     | HZ800082* |
| 20                                     | HZ800081  |
| 21                                     | HZ800080  |
| 22                                     | HZ800039  |
| 23                                     | HZ800064  |
| 24                                     | HZ800065  |
| 25k                                    | HZ800066* |
| <i>(kit OR DIN)</i>                    |           |
| 26k                                    | HZ800067  |
| 27k                                    | HZ800047* |
| <i>(kit revisione/maintenance kit)</i> |           |
| 28                                     | HZ800042  |
| 29                                     | HZ800043* |
| 30                                     | HZ800010  |
| 31*                                    | HZ800011* |
| 32                                     | HZ800012  |
| 33                                     | HZ800049  |
| 34                                     | HZ800046  |

*(kit revisione/maintenance kit)*

1° Stadio Membrana Bilanciata MC9 S.C. € /Balanced Diaphragm 1<sup>st</sup> Stage MC9 S.C. € €

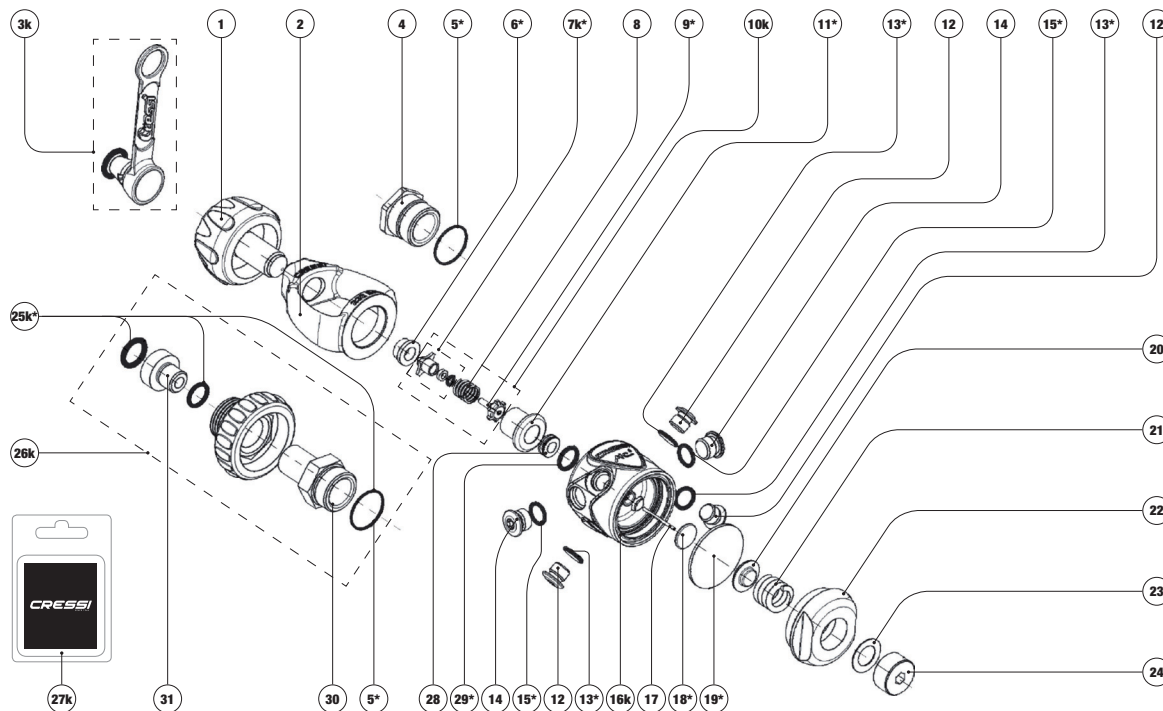
Ed./Issue

01/09

MC9-SC /C

N° Tav./Rev.

HZXXXXXX\* Contenuto nel kit revisione e non disponibile singolarmente. / Only available in maintenance kit; not available individually. HZXXXXXX Non disponibile / Not available.



(kit revisione/maintenance kit)

- |  |           |
|--|-----------|
| 1                                      | HZ730027  |
| 2                                      | HZ770080  |
| 3k                                     | HZ800090  |
| 4                                      | HZ800054  |
| 5                                      | HZ800055* |
| 6                                      | HZ800056* |
| 7k                                     | HZ800057* |
| 8                                      | HZ800086  |
| 9                                      | HZ800085* |
| 10k                                    | HZ800058  |
| 11                                     | HZ800059* |
| 12                                     | HZ730106  |
| 13                                     | HZ730108* |
| 14                                     | HZ730127  |
| 15                                     | HZ730132* |
| 16k                                    | HZ800040  |
| 17                                     | HZ800041  |
| 18                                     | HZ800062* |
| 19                                     | HZ800082* |
| 20                                     | HZ800081  |
| 21                                     | HZ800080  |
| 22                                     | HZ800063  |
| 23                                     | HZ800064  |
| 24                                     | HZ800065  |
| 25k                                    | HZ800066* |
| <i>(kit OR DIN)</i>                    |           |
| 26k                                    | HZ800067  |
| 27k                                    | HZ800047* |
| <i>(kit revisione/maintenance kit)</i> |           |
| 28                                     | HZ800042  |
| 29                                     | HZ800043* |
| 30                                     | HZ800049  |
| 31                                     | HZ800046  |

1° Stadio Membrana Bilanciata MC9 C € /Balanced Diaphragm 1<sup>st</sup> Stage MC9 C €

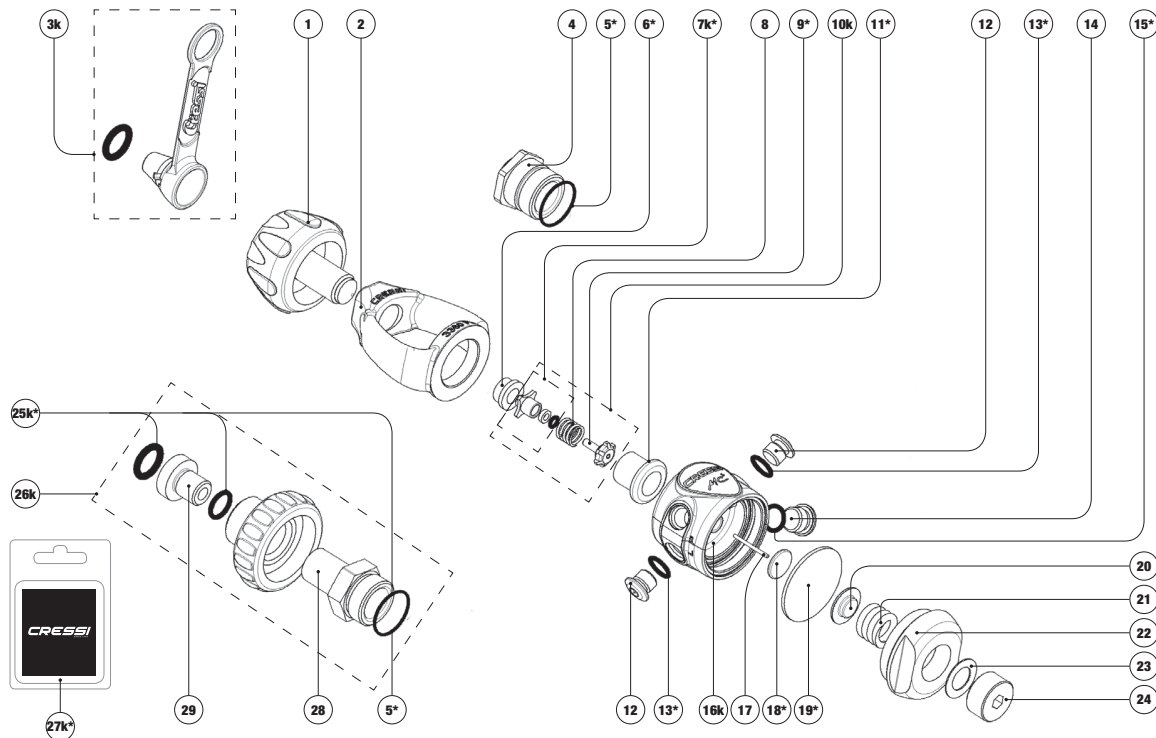
Ed./Issue

01/09

MC9 / B

N° Tav./Rev.

HZXXXXXX\* Contenuto nel kit revisione e non disponibile singolarmente. / Only available in maintenance kit; not available individually. HZXXXXXX Non disponibile / Not available.



- 1 HZ730027
- 2 HZ770080
- 3k HZ800090
- 4 HZ800054
- 5 HZ800055\*
- 6 HZ800056\*
- 7k HZ800057\*
- 8 HZ800086
- 9 HZ800085\*
- 10k HZ800058
- 11 HZ800059\*
- 12 HZ730106
- 13 HZ730108\*
- 14 HZ730127
- 15 HZ730132\*
- 16k HZ800060
- 17 HZ800061
- 18 HZ800062\*
- 19 HZ800082\*
- 20 HZ800081
- 21 HZ800080
- 22 HZ800063
- 23 HZ800064
- 24 HZ800065
- 25k HZ800066\*  
(kit OR DIN)
- 26k HZ800067
- 27k HZ800047\*  
(kit revisione/maintenance kit)
- 28 HZ800049
- 29 HZ800046

*(kit revisione/maintenance kit)*

**1° Stadio Membrana Bilanciata MC5 C€ / Balanced Diaphragm 1st Stage MC5 C€**

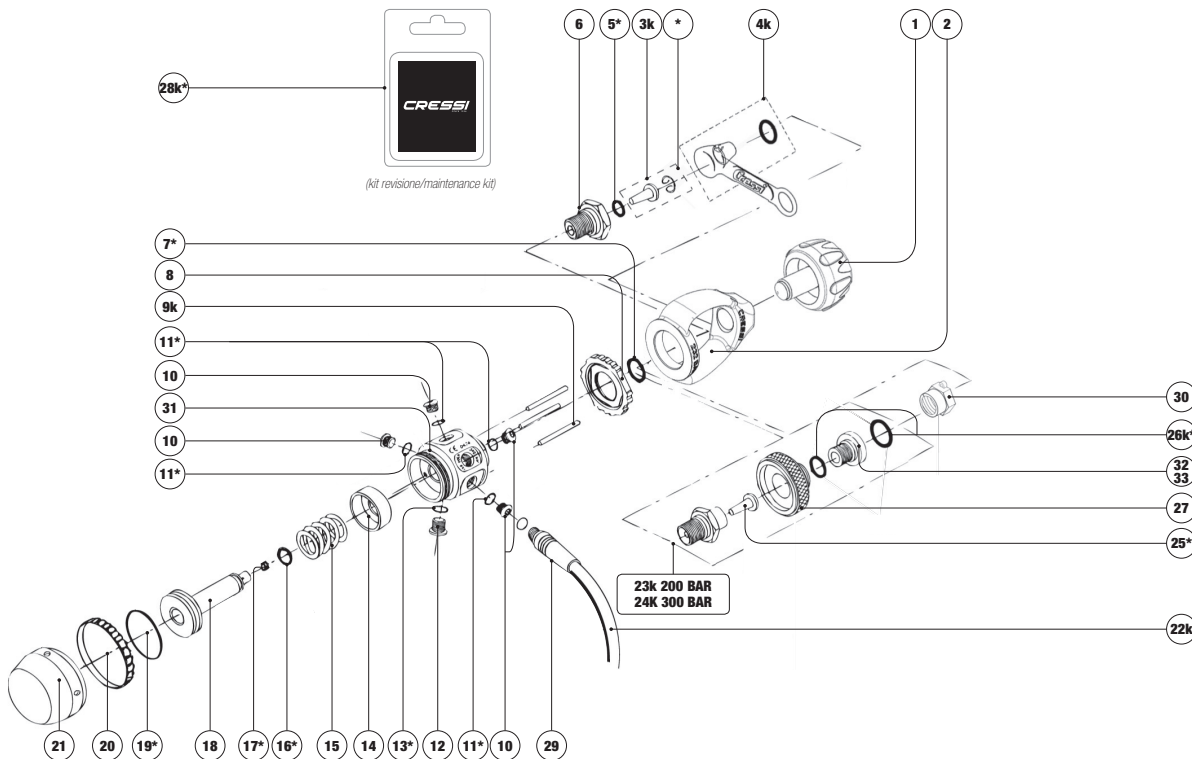
**Ed./Issue**

**01/09**

**MC5 /C**

**N° Tav./Rev.**

*HZXXXXXX\* Contenuto nel kit revisione e non disponibile singolarmente. / Only available in maintenance kit; not available individually. HZXXXXXX Non disponibile / Not available.*



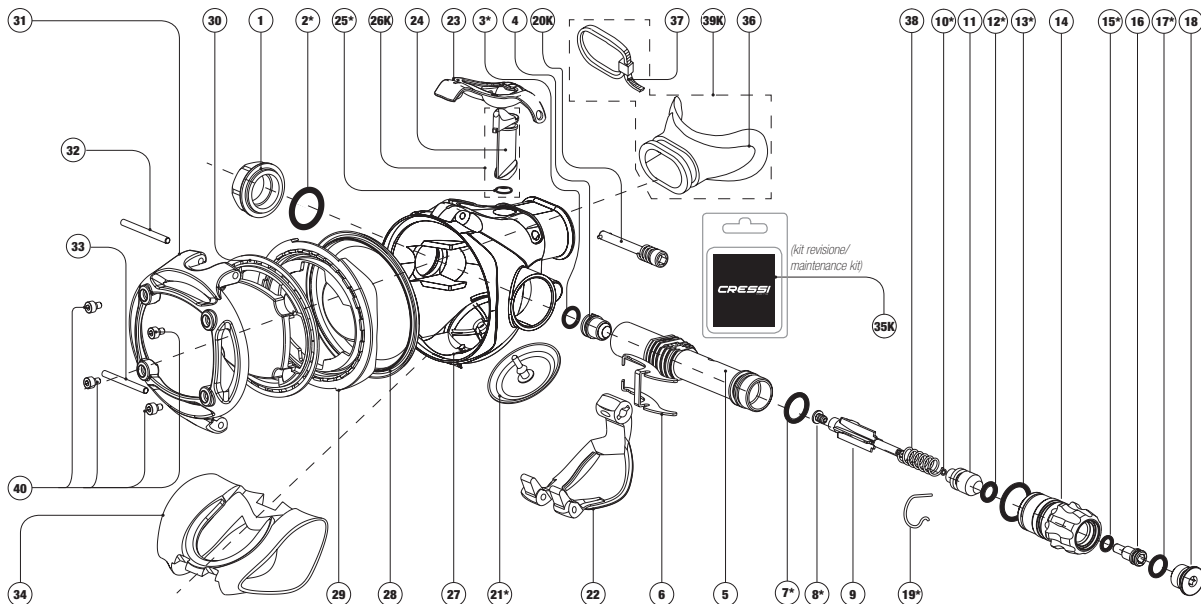
- |     |                                 |
|-----|---------------------------------|
| 1   | HZ730027                        |
| 2   | HZ700089                        |
| 3k  | HZ730188 *                      |
| 4k  | HZ800090                        |
| 5   | HZ730114 *                      |
| 6   | HZ730151                        |
| 7   | HZ735126 *                      |
| 8   | HZ730152                        |
| 9k  | HZ730153                        |
| 10  | HZ730106                        |
| 11  | HZ730108 *                      |
| 12  | HZ730127                        |
| 13  | HZ730132 *                      |
| 14  | HZ730154                        |
| 15  | HZ730105                        |
| 16  | HZ730104 *                      |
| 17  | HZ730155 *                      |
| 18  | HZ730156                        |
| 19  | HZ730108 *                      |
| 20  | HZ730157                        |
| 21  | HZ730158                        |
| 22k | HZ730222 Nero                   |
| 22k | HZ730225 Giallo                 |
| 23k | HZ735158 (DIN 200 bar)          |
| 24k | HZ730157 (DIN 300 bar)          |
| 25  | HZ735154 *                      |
| 25k | HZ735195 *                      |
| 26k | HZ735196 300-bar *              |
| 27  | HZ730159                        |
| 25* |                                 |
| 28k | HZ730150 INT *                  |
|     | (kit revisione/maintenance kit) |
| 28k | HZ730148 DIN-200-bar *          |
|     | (kit revisione/maintenance kit) |
| 28k | HZ730149 DIN 300 bar *          |
|     | (kit revisione/maintenance kit) |
| 29  | HZ730224                        |
| 30  | HZ735170                        |
| 31  | HZ730160                        |
| 32  | HZ800090                        |
| 33  | HZ800093                        |

# **CRESSI**

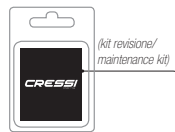
SINCE 1946

## *Regulators Chart*

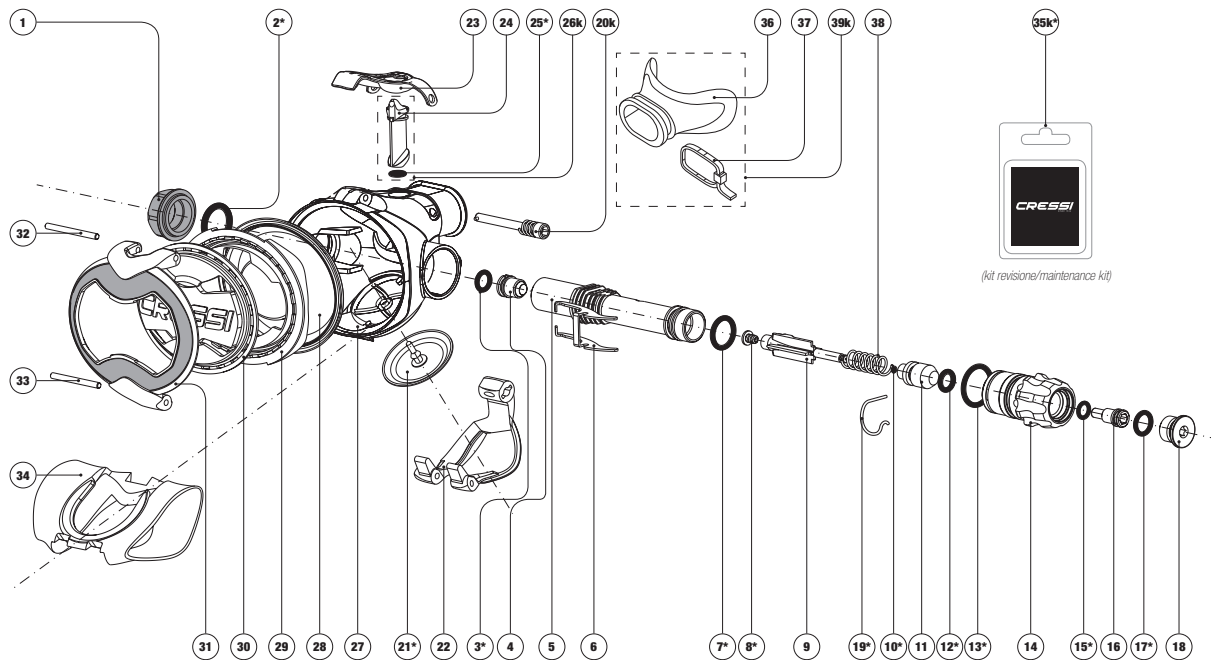
**Secondi Stadi**  
**Second Stage**  
**Deuxiemes Etages**  
**Zweite Stufen**  
**Segundas Etapas**  
**ПЕРВЫЕ СТУПЕНИ**  
**二级头**



- 1 HZ830101
- 2 HZ820051 \*
- 3 HZ810095 \*
- 4 HZ810094
- 5 HZ820052
- 6 HZ820053
- 7 HZ820054 \*
- 8 HZ820055 \*
- 9 HZ820056
- 10 HZ820057 \*
- 11 HZ820058
- 12 HZ820059 \*
- 13 HZ820060 \*
- 14 HZ830096
- 15 HZ820062 \*
- 16 HZ820063
- 17 HZ730108 \*
- 18 HZ830097
- 19 HZ820065 \*
- 20k HZ810077
- 21 HZ782097 \*
- 22 HZ820066
- 23 HZ820067
- 24 HZ820091
- 25 HZ820069 \*
- 26k HZ820070
- 27 HZ820071
- 28 HZ820072
- 29 HZ820092
- 30 HZ820090
- 31 HZ820089
- 32 HZ820076
- 33 HZ820077
- 34 HZ820078
- 35k HZ820080 \*
- 36 HZ790094
- 37 HZ790202
- 38 HZ820049
- 39k HZ8790094
- 40 HZ820087







<b>1</b>	HZ820050	Titanium
<b>1</b>	HZ830101	Steel
<b>2</b>	HZ820051 *	
<b>3</b>	HZ810095 *	
<b>4</b>	HZ810094	
<b>5</b>	HZ820052	
<b>6</b>	HZ820053	
<b>7</b>	HZ820054 *	
<b>8</b>	HZ820055 *	
<b>9</b>	HZ820056	
<b>10</b>	HZ820057 *	
<b>11</b>	HZ820058	
<b>12</b>	HZ820059 *	
<b>13</b>	HZ820060 *	
<b>14</b>	HZ830096	
<b>15</b>	HZ820062 *	
<b>16</b>	HZ820063	
<b>17</b>	HZ730108 *	
<b>18</b>	HZ830097	
<b>19</b>	HZ820065 *	
<b>20k</b>	HZ810077	
<b>21</b>	HZ782097 *	
<b>22</b>	HZ820066	
<b>23</b>	HZ820067	
<b>24</b>	HZ820068	
<b>25</b>	HZ820069 *	
<b>26k</b>	HZ820070	
<b>27</b>	HZ820071	
<b>28</b>	HZ820072	
<b>29</b>	HZ820073	
<b>30</b>	HZ820074	
<b>31</b>	HZ830098	Titanium
<b>31</b>	HZ830100	Steel
<b>32</b>	HZ820076	
<b>33</b>	HZ820077	
<b>34</b>	HZ820078	
<b>35k</b>	HZ820080 *	
		(kit revisione/maintenance kit)
<b>36</b>	HZ790094	
<b>37</b>	HZ730202	
<b>38</b>	HZ820049	
<b>39k</b>	HZ790094	

2° Stadio Master regolabile C€ /Master adjustable 2<sup>nd</sup> Stage C€

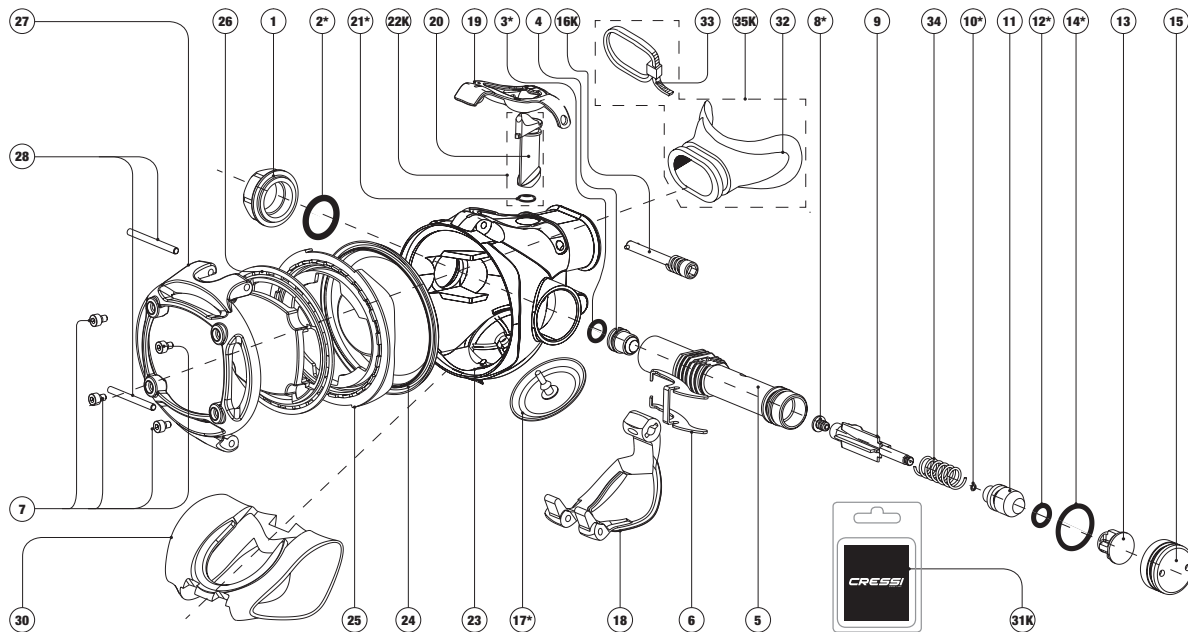
Ed./Issue

02/15

MAS. /A

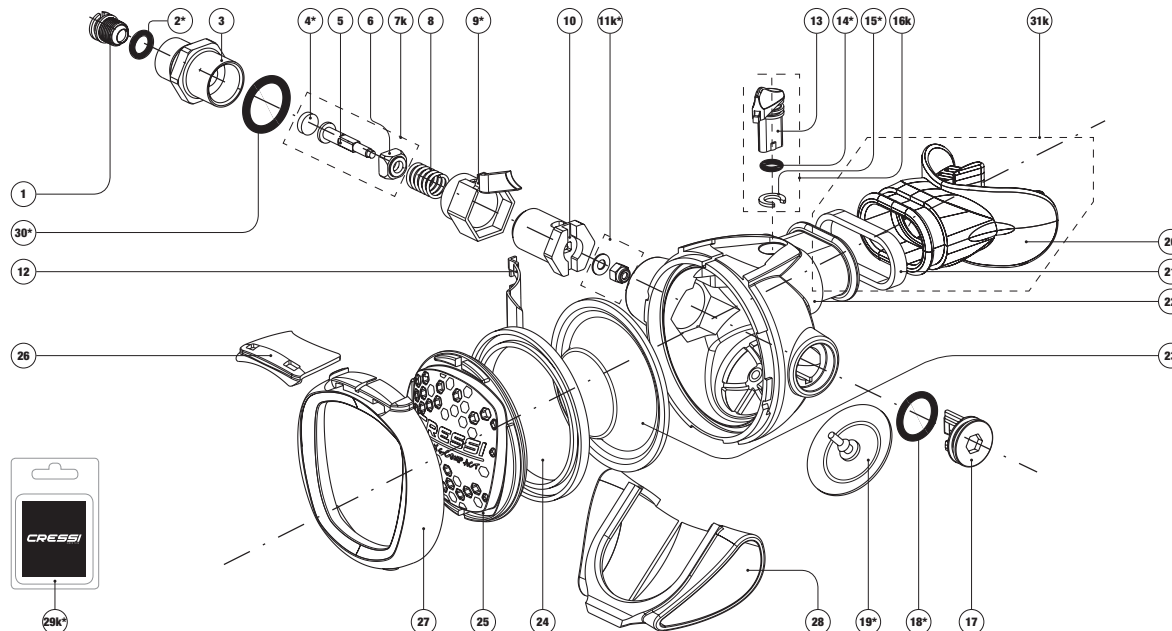
N° Tav./Rev.

HZXXXXXX\* Contenuto nel kit revisione e non disponibile singolarmente. / Only available in maintenance kit; not available individually. HZ000000 Non disponibile / Not available.



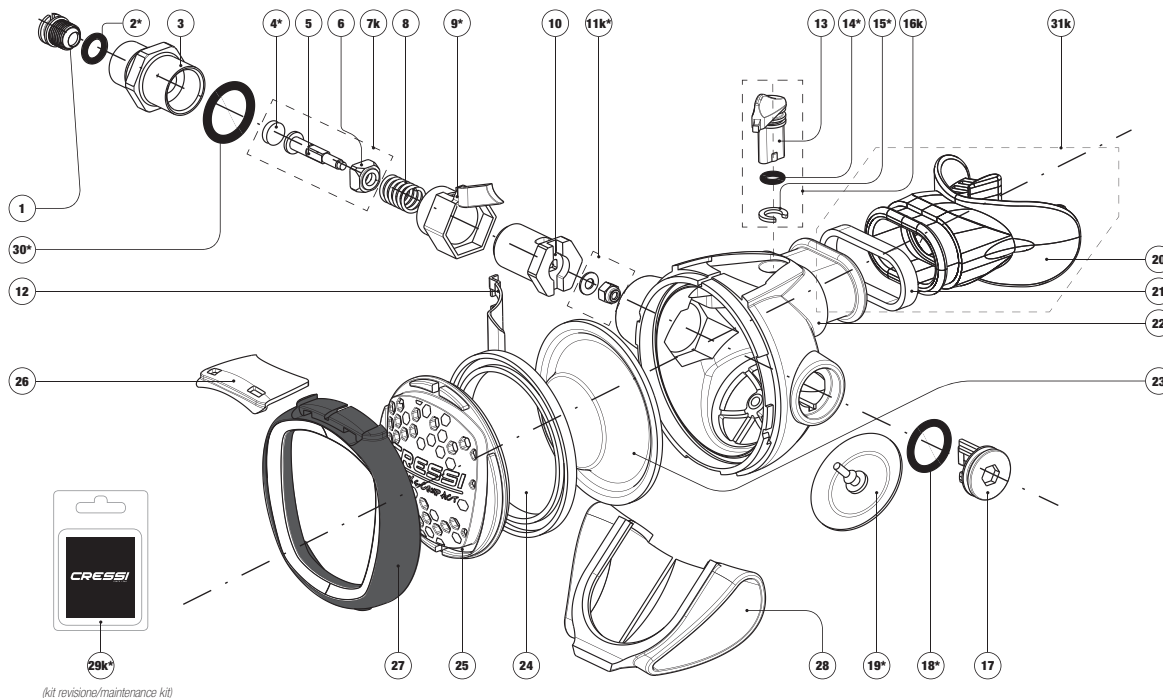
(kit revisione/maintenance kit)

- 1 HZ820050
- 2 HZ820051 \*
- 3 HZ810095
- 4 HZ810094
- 5 HZ820052
- 6 HZ820053
- 7 HZ820087
- 8 HZ820055 \*
- 9 HZ820056
- 10 HZ820057 \*
- 11 HZ820058
- 12 HZ820059 \*
- 13 HZ820083
- 14 HZ820060 \*
- 15 HZ820085
- 16k HZ810077
- 17 HZ782097 \*
- 18 HZ820066
- 19 HZ820067
- 20 HZ820068
- 21 HZ820069 \*
- 22k HZ820070
- 23 HZ820071
- 24 HZ820072
- 25 HZ820073
- 26 HZ820088 (Galaxy)
- 26 HZ820083 (Octopus MG Balanced)
- 27 HZ820089
- 28 HZ820076
- 29 HZ820077
- 30 HZ820078
- 31k HZ820080 \*
- 32 HZ790094
- 33 HZ7930202
- 34 HZ820049
- 35k HZ790094



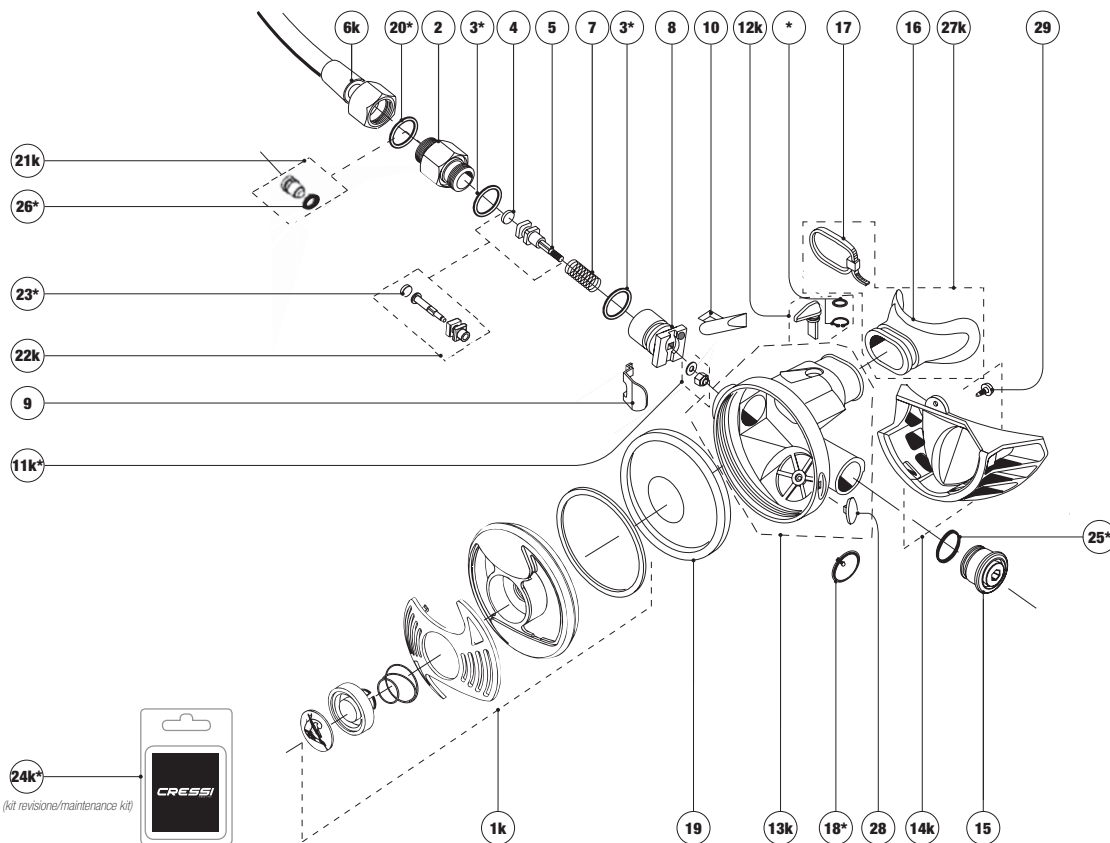
- 1 HZ810094
- 2 HZ810095\*
- 3 HZ780080
- 4 HZ742013\*
- 5 HZ780079
- 6 HZ780078
- 7k HZ780077
- 8 HZ730207
- 9 HZ780076\*
- 10 HZ780075
- 11k HZ746094\*
- 12 HZ780074
- 13 HZ780073
- 14 HZ820069\*
- 15 HZ810080\*
- 16k HZ780072
- 17 HZ780071
- 18 HZ820054\*
- 19 HZ782097\*
- 20 HZ790094
- 21 HZ730202
- 22 HZ780070
- 23 HZ780069
- 24 HZ780068
- 25 HZ780067 (Grigio/Gray)
- 25 HZ780066 (Giallo/Yellow) (octopus)
- 25 HZ780065 (Rosa/Pink)
- 25 HZ780064 (Bianco/White)
- 25 HZ780049 (Lilla/Lilac)
- 26 HZ780063
- 27 HZ780062
- 28 HZ780061
- 29k HZ780060\*  
*(kit revisione/maintenance kit)*
- 30 HZ780059\*
- 31k HZ790094

*(kit revisione/maintenance kit)*



- 1 HZ810094
- 2 HZ810095 \*
- 3 HZ780080
- 4 HZ742013 \*
- 5 HZ780079
- 6 HZ780078
- 7k HZ780077
- 8 HZ730207
- 9 HZ780076 \*
- 10 HZ780075
- 11k HZ746094 \*
- 12 HZ780074
- 13 HZ780073
- 14 HZ820069 \*
- 15 HZ810080 \*
- 16k HZ780072
- 17 HZ780071
- 18 HZ820054 \*
- 19 HZ782097 \*
- 20 HZ790094
- 21 HZ730202
- 22 HZ782099
- 23 HZ780069
- 24 HZ780068
- 25 HZ782096
- 25 HZ780052 (Octopus)
- 26 HZ780063
- 27 HZ782098
- 28 HZ780061
- 29k HZ780060 \*
- (kit revisione/maintenance kit)*
- 30 HZ780059 \*
- 31k HZ790094

*(kit revisione/maintenance kit)*



- 1k** HZ780050 Nero
- 1k** HZ780051 Giallo (octopus)
- 2** HZ742007
- 3** HZ730218\*
- 4** HZ730208
- 5** HZ742008
- 6k** HZ730222 Nero
- 6k** HZ730225 Giallo
- 7** HZ730207
- 8** HZ770096
- 9** HZ770095
- 10** HZ770094
- 11k** HZ746094\*
- 12k** HZ770099
- 13k** HZ770097
- 14k** HZ790096
- 15** HZ790095
- 16** HZ790094
- 17** HZ730202
- 18** HZ746006\*
- 19** HZ730212
- 20** HZ730221\*
- 21k** HZ742006
- 22k** HZ742012
- 23** HZ742013\*
- 24k** HZ790090\*  
*(kit revisione/maintenance kit)*
- 25** HZ790091\*
- 26** HZ790092\*
- 27k** HZ790094
- 28** HZ770054
- 29** HZ770053

**2° Stadio XS2 C€ /XS2 2<sup>nd</sup> Stage C€**

**Ed./Issue**

**01/99**

**XS2 /A**

**N° Tav./Rev.**

*HZXXXXXX\* Contenuto nel kit revisione e non disponibile singolarmente. / Only available in maintenance kit; not available individually. HZXXXXXX Non disponibile / Not available.*



Via Gelasio Adamoli, 501 - 16165 - Genova - Italia  
Tel. +39 010 830.79.1 - Fax +39 010 830.79.220  
[info@cressi.com](mailto:info@cressi.com) • [www.cressi.com](http://www.cressi.com)